

# JET

**JBS-12**

**WOODWORKING BANDSAW**

Original:

**GB**  
**Operating Instructions**

Translations:

**D**  
**Gebrauchsanleitung**

**F**  
**Mode d'emploi**



**JPW (Tool) AG**

Tämperlistrasse 5  
CH-8117 Fällanden  
Switzerland

Phone +41 44 806 47 48

Fax +41 44 806 47 58

[www.jettools.com](http://www.jettools.com)



M-100001021M

2017-01

# CE-Conformity Declaration CE-Konformitätserklärung Déclaration de Conformité CE

**Product / Produkt / Produit:**  
Band saw/ Bandsäge / Scie à ruban  
**JBS-12**

**Brand / Marke / Marque:**  
**JET**

**Manufacturer / Hersteller / Fabricant:**  
JPW (Tool) AG, Tämperlistrasse 5, CH-8117 Fällanden  
Schweiz / Suisse / Switzerland

We hereby declare that this product complies with the regulations  
Wir erklären hiermit, dass dieses Produkt der folgenden Richtlinie entspricht  
Par la présente, nous déclarons que ce produit correspond aux directives suivantes

**2006/42/EC**

Machinery Directive  
Maschinenrichtlinie  
Directive Machines

**2014/30/EU**

electromagnetic compatibility  
elektromagnetische Verträglichkeit  
compatibilité électromagnétique

designed in consideration of the standards  
und entsprechend folgender zusätzlicher Normen entwickelt wurde  
et été développé dans le respect des normes complémentaires suivantes

**EN ISO 12100:2010**

**EN 61029-1:2009+A11:2010**

**EN 61029-2-5:2011+A11:2015**

**EN 61000-3-2:2006+A1:2009+ A2:2009**

**EN 61000-3-3:2013**

Responsible for the Documentation / Dokumentations-Verantwortung / Responsabilité de Documentation:

Hansjörg Meier

Head Product-Mgmt. / Leiter Produkt-Mgmt. / Resp. Gestion des Produits  
JPW (Tool) AG



2017-01-05 Alain Schmid, General Manager  
JPW (Tool) AG, Tämperlistrasse 5, CH-8117 Fällanden  
Schweiz / Suisse / Switzerland

# GB - ENGLISH

## Operating Instructions

Dear Customer,

Many thanks for the confidence you have shown in us with the purchase of your new JET-machine. This manual has been prepared for the owner and operators of a **JET JBS-12 band saw** to promote safety during installation, operation and maintenance procedures. Please read and understand the information contained in these operating instructions and the accompanying documents. To obtain maximum life and efficiency from your machine, and to use the machine safely, read this manual thoroughly and follow instructions carefully.

### ...Table of Contents

#### 1. Declaration of conformity

#### 2. Warranty

#### 3. Safety

Authorized use

General safety notes

Remaining hazards

#### 4. Machine specifications

Technical data

Noise emission

Dust emission

Contents of delivery

#### 5. Transport and start up

Transport and installation

Assembly

Mains connection

Dust connection

Starting operation

#### 6. Machine operation

#### 7. Setup and adjustments

Changing the saw blade

Blade tracking adjustment

Blade tension adjustment

Blade guide adjustment

Folding the bandsaw blade

Changing the blade speed

Table tilting

#### 8. Maintenance and inspection

#### 9. Troubleshooting

#### 10. Environmental protection

#### 11. Available accessories

#### 1. Declaration of conformity

On our own responsibility we hereby declare that this product complies with the regulations\* listed on page 2. Designed in consideration with the standards\*\*. CE type examination\*\*\* conducted by\*\*\*\*

#### 2. Warranty

JPW (Tool) AG guarantees that the supplied product(s) is/are free from material defects and manufacturing faults.

This warranty does not cover any defects which are caused, either directly or indirectly, by incorrect use, carelessness, damage due to accidents, repairs or inadequate maintenance or cleaning as well as normal wear and tear.

Further details on warranty (e.g. warranty period) can be found in the General Terms and Conditions (GTC) that are an integral part of the contract.

These GTC may be viewed on the website of your dealer or sent to you upon request.

JPW (Tool) AG reserves the right to make changes to the product and accessories at any time.

#### 3. Safety

##### 3.1 Authorized use

This machine is designed for sawing wood, wood derived materials as well as similar to be machined hard plastics only. Machining of other materials is not permitted and may be carried out in specific cases only after consulting with the manufacturer.

No metal workpieces may be machined.

The workpiece must allow to safely be loaded, supported and guided.

The proper use also includes compliance with the operating and maintenance instructions given in this manual.

The machine must be operated only by persons familiar with its operation and maintenance and who are familiar with its hazards.

The required minimum age must be observed

The machine must only be used in a technically perfect condition

When working on the machine, all safety mechanisms and covers must be mounted.

In addition to the safety requirements contained in these operating instructions and your country's applicable regulations, you should observe the generally recognized technical rules concerning the operation of woodworking machines.

Any other use exceeds authorization.

In the event of unauthorized use of the machine, the manufacturer renounces all liability and the responsibility is transferred exclusively to the operator.

### 3.2 General safety notes

Woodworking machines can be dangerous if not used properly. Therefore the appropriate general technical rules as well as the following notes must be observed.

Read and understand the entire instruction manual before attempting assembly or operation.  
Keep this operating instruction close by the machine, protected from dirt and humidity, and pass it over to the new owner if you part with the tool.

No changes to the machine may be made.

Daily inspect the function and existence of the safety appliances before you start the machine.  
Do not attempt operation in this case, protect the machine by unplugging the mains cord.

Remove all loose clothing and confine long hair.

Before operating the machine, remove tie, rings, watches, other jewellery, and roll up sleeves above the elbows.

Wear safety shoes; never wear leisure shoes or sandals.

Always wear the approved working outfit  
- safety goggles  
- ear protection  
- dust protection

Do **not** wear gloves while operating this machine.

For the safe handling of saw blades wear work gloves.

Observe the chapter "safe operation" in this manual.

Control the stopping time of the machine, it may not be longer than 10 seconds.

Insure that the workpiece does not roll when cutting round pieces.  
Use suitable table extensions and supporting aids for difficult to handle workpieces.

Always lower the blade guide close to the workpiece.

With the machine table is inclined use the fence and position it on the bottom side only.

Always hold and guide the workpieces safely during machining.

Remove cut and jammed workpieces only when motor is turned off and the machine is at a complete standstill.

Install the machine so that there is sufficient space for safe operation and workpiece handling.

Keep work area well lighted.

The machine is designed to operate in closed rooms and must be placed stable on firm and levelled ground.

Make sure that the power cord does not impede work and cause people to trip.

Keep the floor around the machine clean and free of scrap material, oil and grease.

Stay alert!

Give your work undivided attention. Use common sense.

Keep an ergonomic body position.

Maintain a balanced stance at all times.

Do not operate the machine when you are tired.

Do not operate the machine under the influence of drugs, alcohol or any medication. Be aware that medication can change your behaviour.

Keep children and visitors a safe distance from the work area.

Never reach into the machine while it is operating or running down.

Never leave a running machine unattended. Before you leave the workplace switch off the machine.

Do not operate the electric tool near inflammable liquids or gases.

Observe the fire fighting and fire alert options, for example the fire extinguisher operation and place.

Do not use the machine in a damp environment and do not expose it to rain.

Wood dust is explosive and can also represent a risk to health. Dust from some tropical woods in particular, and from hardwoods like beach and oak, is classified as a carcinogenic substance.

Always use a suitable dust extraction device

Before machining, remove any nails and other foreign bodies from the workpiece.

Use a push block when working the ends of narrow stock.

Always store the push stick or the push wood handle with the machine, also when not in use.

Specifications regarding the maximum or minimum size of the workpiece must be observed.

Do not remove chips and workpiece parts until the machine is at a complete standstill.

Do not stand on the machine.

Connection and repair work on the electrical installation may be carried out by a qualified electrician only.

Have a damaged or worn cord replaced immediately.

Make all machine adjustments or maintenance with the machine unplugged from the power source.

Remove defective saw blades immediately.

### 3.3 Remaining hazards

When using the machine according to regulations some remaining hazards may still exist

The moving saw blade in the work area can cause injury.

Broken saw blades can cause injuries.

Thrown workpieces can lead to injury

Wood chips and sawdust can be health hazards. Be sure to wear personal protection gear such as safety goggles ear- and dust protection.

Use a suitable dust exhaust system.

The use of incorrect mains supply or a damaged power cord can lead to injuries caused by electricity.

## 4. Machine specifications

### 4.1 Technical data

Wheel diameter	315 mm
Cutting width	max 305 mm
Cutting height	max 180 mm
Sawblade length	2240 mm
Blade width	6 - 15 mm
Blade thickness	0,4 – 0,6 mm
Cutting speed	370 or 800 m/min
Machine Table(Lx W)	400x480 mm
Table tilting range	0° to 45°
Working height with stand	1000mm
Dust port diameter	100mm
Overall without stand (WxDxH)	600 x 805 x1320mm
Weight without stand	62 kg
Overall with stand (WxDxH)	655 x 915 x1860mm
Weight with stand	68 kg
Mains	1~230V, 50Hz
Motor power	800W
Reference current	3,5 A
Extension cord (H07RN-F):	3x1,5mm <sup>2</sup>
Installation fuse protection	10 A

### 4.2 Noise emission

Determined according to EN 1807

(Inspection tolerance 3 dB)

Workpiece beech:

T=30mm, L=1500mm, moisture 8,5%

Acoustic power level

(according to EN ISO 3746):

Idling	LwA 85,0 dB(A)
Operating	LwA 96,4 dB(A)

Acoustic pressure level

(EN ISO 11202):

Idling	LpA 72,6 dB(A)
Operating	LpA 83,4 dB(A)

The specified values are emission levels and are not necessarily to be seen as safe operating levels. Although there is a correlation between emission and imission levels, these do not constitute a basis for determining the necessity of additional safety measures. Workplace conditions which could influence the noise imission level include the duration of resonance, spatial particulars, other noise sources etc. For example, the number of machines and other work being performed. The permissible workplace levels can vary from country to country.

This information is intended to allow the user to make a better estimation of the hazards and risks involved.

### 4.3 Dust emission

The band saw JBS-12 has been dust emission inspected.

At an air velocity of 20 m/s on the dust port dia 100mm:

Vacuum pressure	1250 Pa
Volume flow	565 m <sup>3</sup> /h

The machine meets a workplace dust emission limit of 2 mg/m<sup>3</sup>.

### 4.4 Content of delivery

Open stand  
Machine table  
Fence  
Fence support rails  
Mitre gauge  
Dust port 100mm  
Assembly bag  
Saw blade 13 mm  
Operating manual  
Spare parts list

## 5. Transport and start up

### 5.1 Transport and installation

For transport use a forklift or hand trolley. Make sure the machine does not tip or fall off during transport.

The machine is designed to operate in closed rooms and must be placed stable on firm and levelled ground.

### Stability of bandsaw.

Before using the bandsaw, ensure the machines upright stability is satisfactory.

The bandsaw has four Ø8mm holes (A, Fig 1) in it's base to allow it to be bolted to a workbench or to the supplied open stand

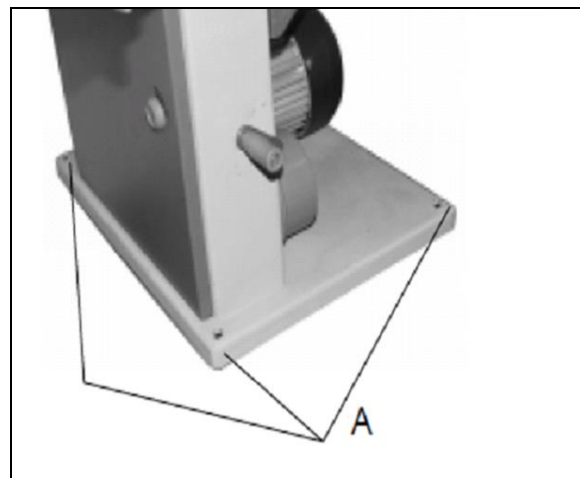


Fig 1

For packing reasons the machine is not completely assembled.

### 5.2 Assembly

If you notice any transport damage while unpacking, notify your supplier immediately. Do not operate the machine!

Dispose of the packing in an environmentally friendly manner.

Clean all rust protected surfaces with a mild solvent.

Prior to use, the following items have to be fitted:  
Bandsaw table, Rip fence guide and Crank handle.

### Fitting the table

Tools Required: - 13mm Wrench

Insert the M8 x 50 coach bolt and square plastic insert (A, Fig 2) through the slot on the upper trunion casting (B) and, temporarily, screw on the winged nut (C) to prevent it falling out.

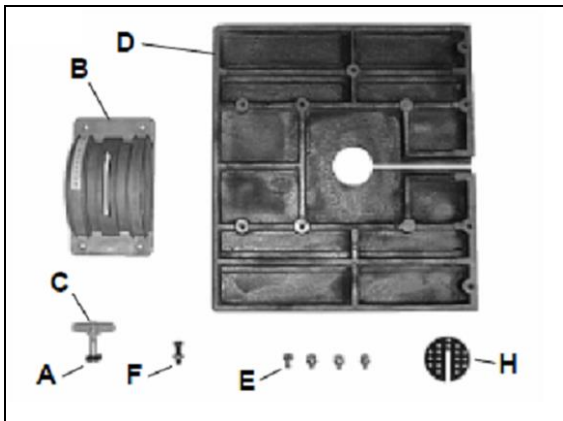


Fig 2

Fit the upper table trunion casting (B, Fig 3) to the underside of the bandsaw table (D) using the 4 - M8 x 16 hex head set screws (E) and washers, ensuring that the angle tilt scale is closest to the edge of the table.

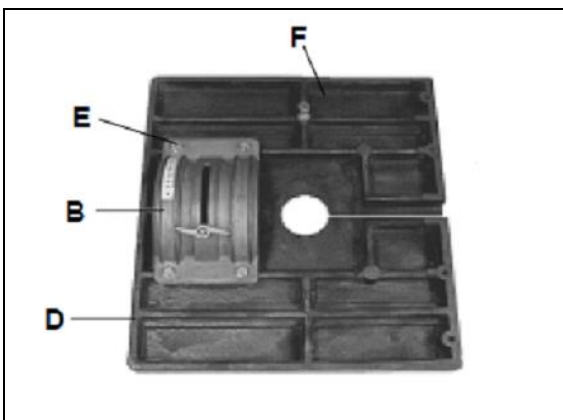


Fig 3

Whilst the table is in the upside down position fit the table stop screw and nut (F) as shown, this will be adjusted later.

Turn the table over and remove the winged nut (C) from the trunion coach bolt (A) making sure the end of the bolt projects down through the casting (Fig 4)

*(Some assistance may be needed for this)*

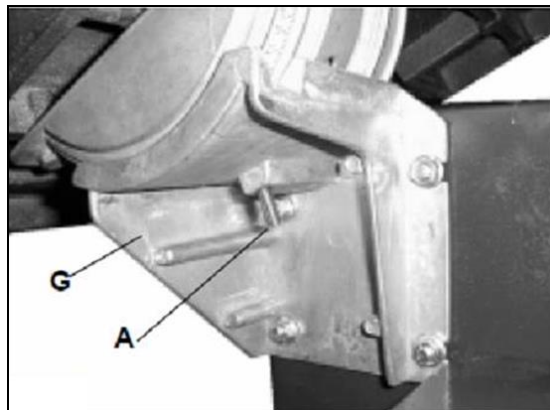


Fig 4

Guide the table and upper trunion on to the bandsaw lower trunion (G) and ensure the bolt (A) projecting from the upper trunion is inserted through its corresponding hole in the lower trunion. When in position re-fit and tighten the winged nut.

Fit the plastic table insert (H, Fig 2) to the centre of the table with the angled bevel facing downwards.

### Fitting the Crank Handle

Tools required :- Flat bladed screwdriver 10mm wrench

Attach the crank handle (A, Fig 5) to the belt tension crank arm with the M6 x 55 slotted cheese head screw and two M6 nuts.

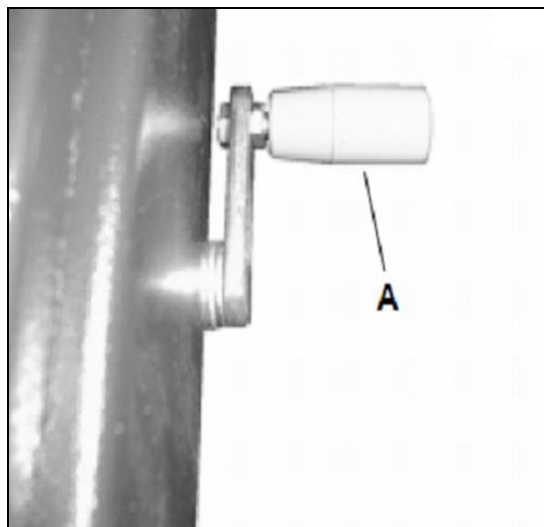


Fig 5

### Fitting the Rip Fence Guide

This instruction assumes that the blade is already fitted, if not, go to the section headed " Replacing the bandsaw blade".

To fit the Rip Fence Guide (J, Fig 6) attach it to the front edge of the table with the four winged screws and washers supplied (K). This will be adjusted later.

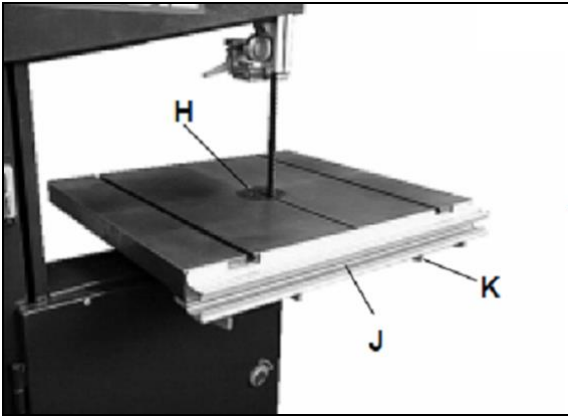


Fig 6

**Assembling the Rip Fence**

The rip fence on this bandsaw can be used on either side of the blade by fixing the rip fence extrusion (C, Fig 7) to the appropriate side of the rip fence casting (B).

To assemble the rip fence take the rip fence casting (B) and attach it to the bandsaw table using the M8 x 50 coach bolt and plastic winged nut (F).

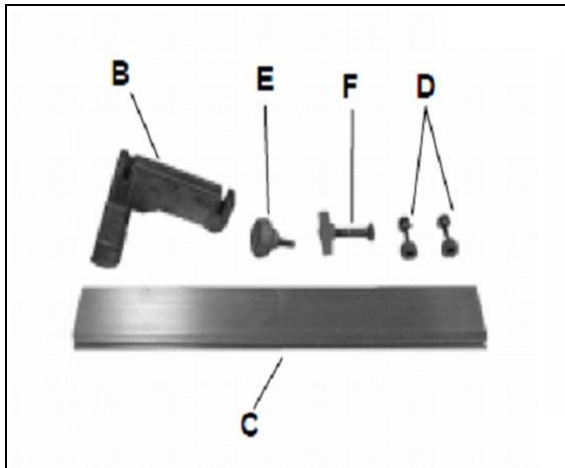


Fig 7

Fit the rip fence extrusion (C) to the rip fence casting (B) with the two small knurled knobs and M6 x 40 coach bolts (D) and use the large knob (E) for adjustment and to lock in position. (See Fig 8).

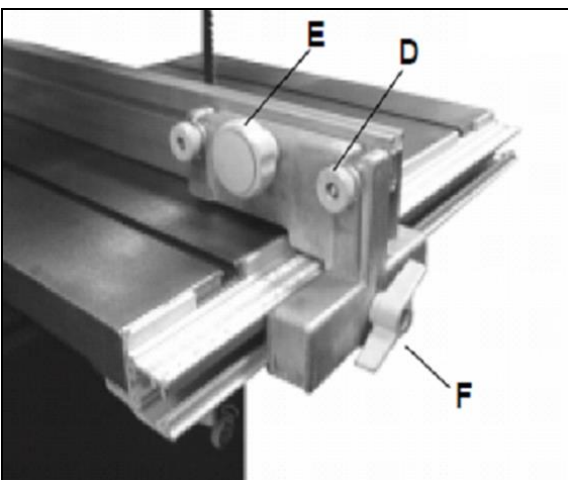


Fig 8

**Blade drift compensation**

Use the lock knob (E) to tighten the fence profile.

The fence profile can be angled, to compensate for blade drift.

**Centering the table to the blade**

To centre the table to the blade loosen the 4 M8 nuts (G, Fig 9) which hold the lower trunion to the machine frame.

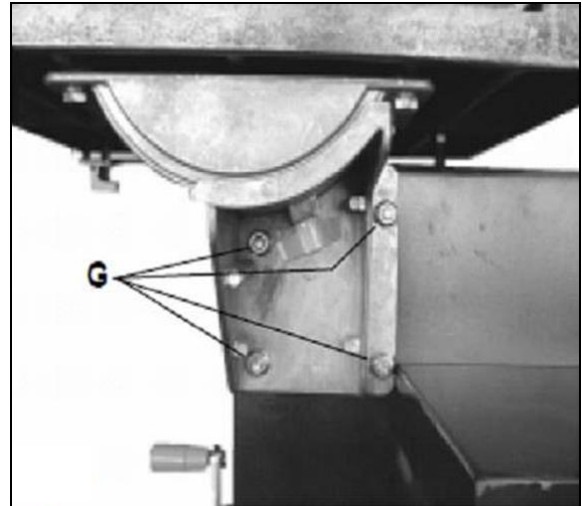


Fig 9

Align until the sawblade runs centered through the table insert. Re-tighten the 4 nuts.

**Setting the table square to sawblade**

Tools Required :- Small 90° square (*not supplied*)

The table can be set at 90° to the sawblade by adjusting the table stop screw underneath the table.

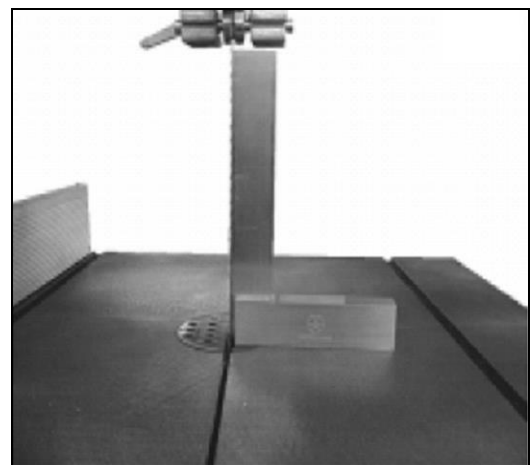


Fig 10

Loosen the nut (A, Fig 11), adjust bolt (B).

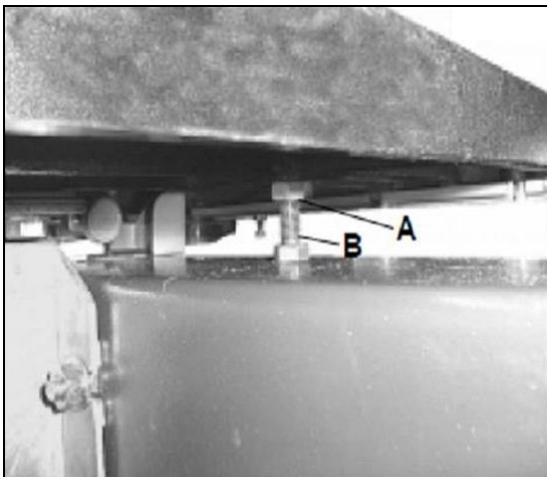


Fig 11

**Adjusting the rip fence guide scale**

Tools Required:- 10mm Wrench Straight edge

To adjust the rip fence scale loosen the four winged screws below the table and move the scale and rip fence guide (C, Fig 12) sideways to adjust.

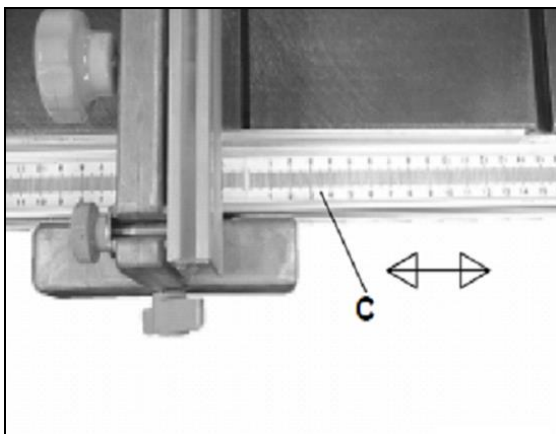


Fig 12

Re-tighten the winged screws when the adjustment is correct.

The adjustment can be checked by setting the rip fence to a thickness and cutting a test piece.

When the adjustment is correct the thickness of the test piece will correspond with the rip fence scale setting.

**Checking the table for flatness**

A steel rule should be held on the table across the table slot close to the front edge of the table. (See Fig. 13)

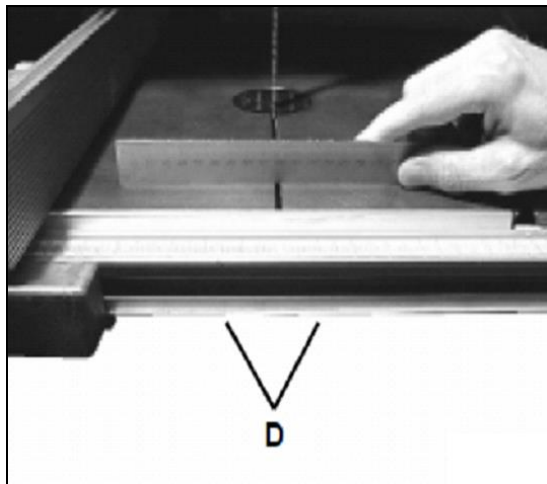


Fig 13

If the straight edge shows there is a step across the table slot then the table needs to be adjusted using the two screws and locking nuts provided for this purpose, located on the underside of the rip fence guide, at (D, Fig 13)

**Lower blade guard**

When open the lower bandwheel door on this machine the lower blade guard (C, Fig 14) swings down.

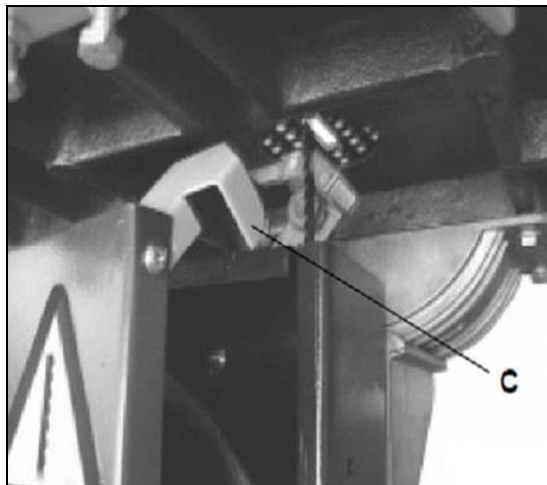


Fig 14

When the lower door is closed the guard MUST be raised back to its operating position.

The bandwheel doors MUST be closed at all times when the machine is being operated.

**5.2 Mains connection**

Mains connection and any extension cords used must comply with applicable regulations.

The mains voltage must comply with the information on the machine licence plate.

The mains connection must have a 10 A surge-proof fuse.

Only use power cords marked H07RN-F

Connections and repairs to the electrical equipment may only be carried out by qualified electricians.



### 5.3 Dust connection

The machine is equipped with a dust port dia 100mm (B, Fig 15)

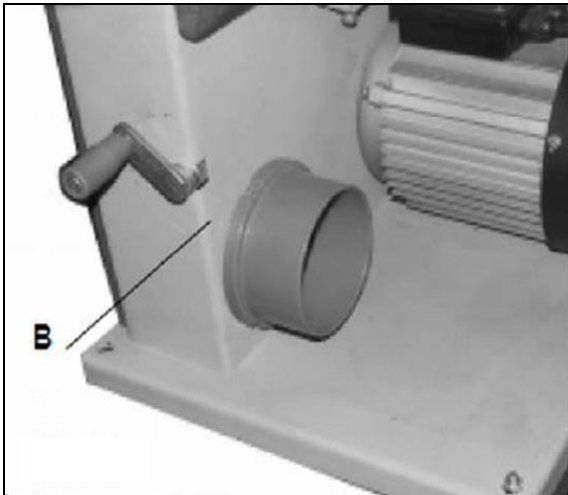


Fig 15

Before initial operation, the machine must be connected to a dust extractor. The suction should switch on automatically when the bandsaw is switched on.

The flow rate on the suction port must be 20m/sec. Flexible hoses must be of non-flammable quality, and must be connected to the machine ground system.

### 5.4 Starting operation

You can start the machine with the green on button. The red button on the main switch stops the machine.

## 6. Machine operation

#### Correct working position:

In front of the machine standing in the direction of cutting.

#### Workpiece handling:

Hands placed flat on the workpiece outside the cutting area. Feed the workpiece towards the saw blade in the direction of the saw line, and cut as required by turning to follow the line drawn. Push the workpiece steadily forward; complete the cut as a single movement. Do not draw the workpiece back, as this could cause the sawblade to run off its wheels.

Support long and wide workpieces with helping roller stands.

#### Operating hints:

Work only with a sharp and flawless sawblade.

Near the cutting area use a push stick to feed.

Use a feeding template to safely guide small and narrow workpieces.

Use a suitable wedge to prevent round timber from turning under the pressure of the cut

#### Workpiece setup:

Bring the upper blade guide to a distance of approx 2-5mm to the workpiece. (See Fig 16).

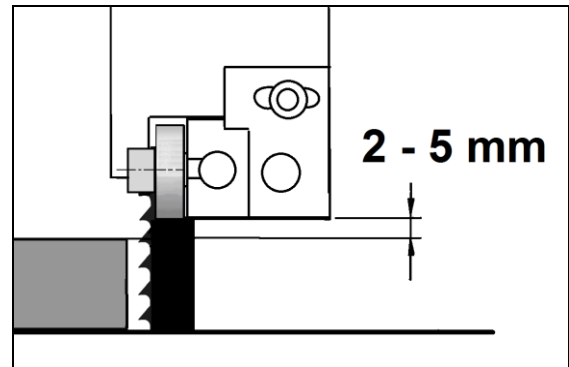


Fig 16

For your own safety, always set the saw guide as close to the workpiece as possible.

To adjust the cutting height release the winged nut (A, Fig 17) and move the upper blade guide and guard assembly (B).

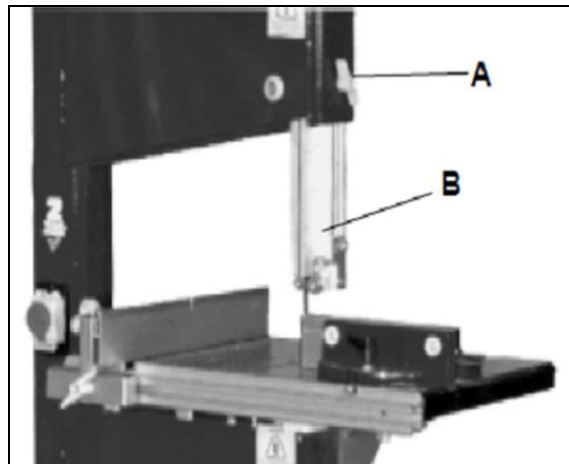


Fig 17

#### Blade Drift Compensation:

Blade drift is a frequent problem on rip cuts and during resawing.

Blade drift may occur when the fence is being used, the blade begins to wander off the cutting line (Fig 18).

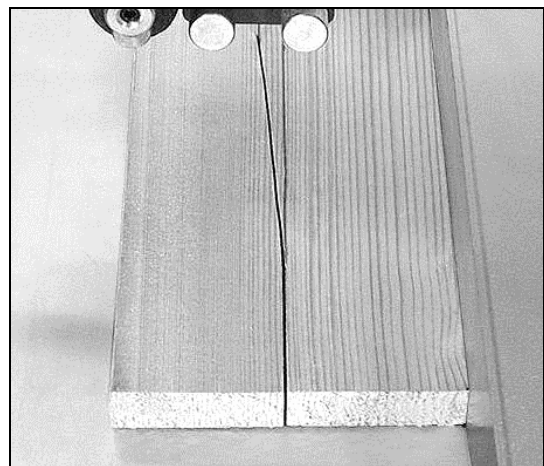


Fig 18

Blade drift can be caused by a number of factors.

- The saw blade follows the grain
- The saw blade is dull.
- Blade guides not adjusted correctly.
- Blade tension insufficient.
- Blade-teeth have asymmetric "set"

With the blots (D and E, Fig 19), the rip fence profile can be angled. This allows guiding the workpiece in line with cut.

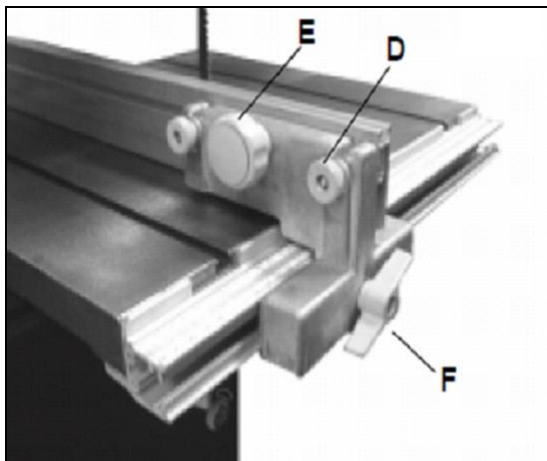


Fig 19

**Auxiliary fence for rip fence:**

For your own safety always set the upper saw guide as close to the workpiece as possible.

For narrow shallow cuts on the rip fence a self-made auxiliary fence (E, Fig. 20) made of cuttable material ( e.g. wood, plastic, aluminium) must be used. Length same as rip fence.

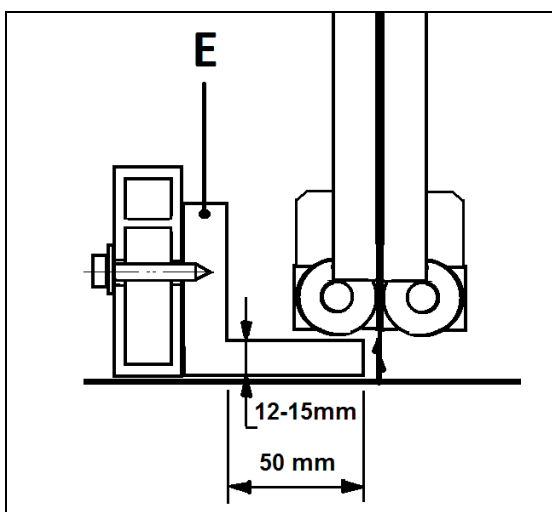
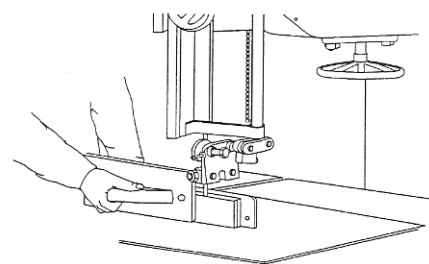
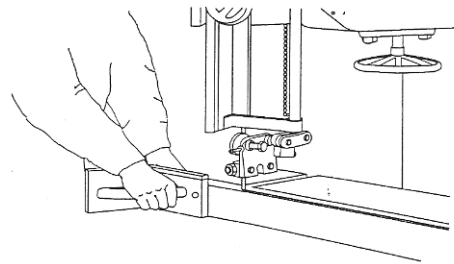


Fig 20

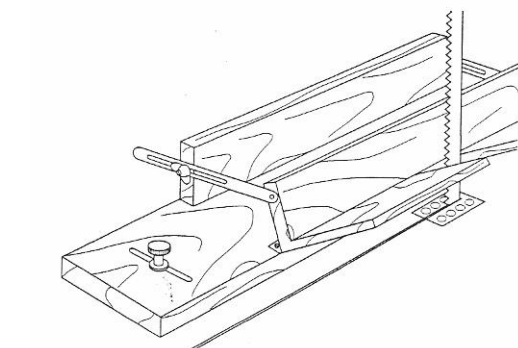
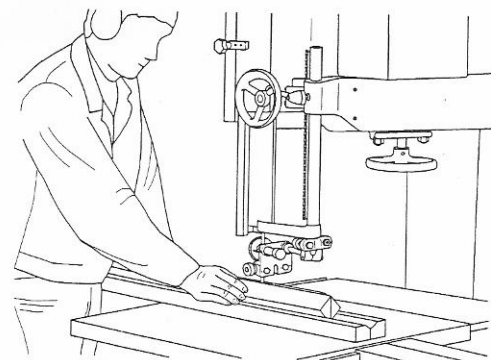
**Mitre gauge:**

Place the mitre gauge in the table T-slot.

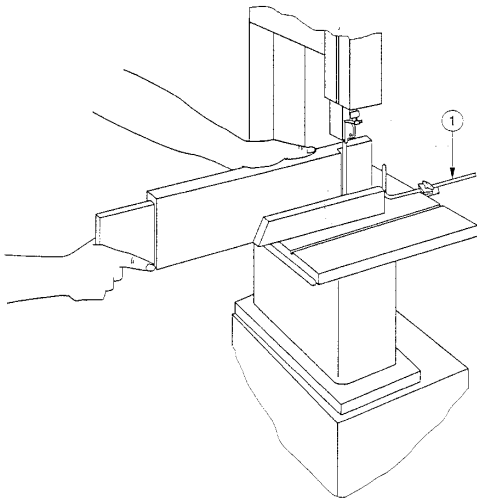
**Directions for "safe operation" :**



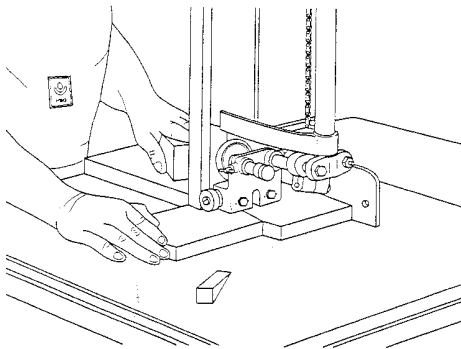
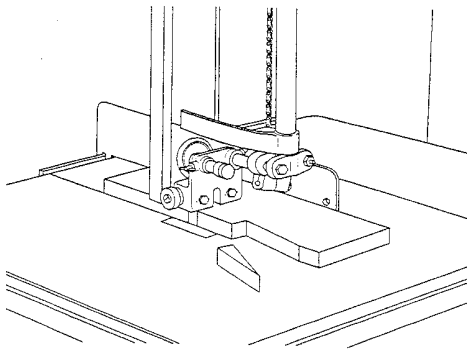
Performing high resaw cuts



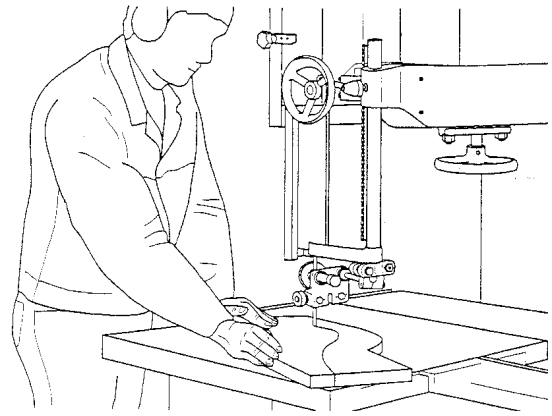
Performing diagonal cuts



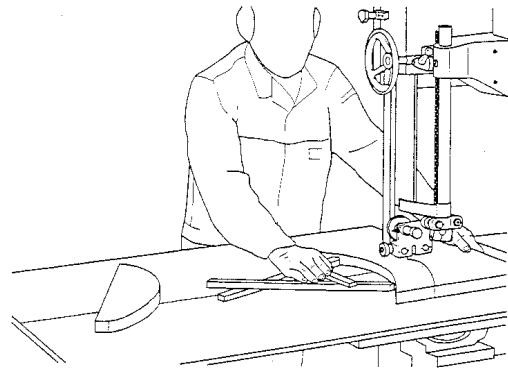
Tenon cutting



Cutting of wedges



Curved cuts



Arc cuts

## 7. Setup and adjustments

### General note:

**Setup and adjustment work may only be carried out after the machine is protected against accidental starting by pulling the mains plug.**

### 7.1 Changing the sawblade

The sawblade has to meet the technical specification.

Choose a suitable sawblade, according to the cutting operation and according to the material to be cut.

For high rip cuts:

- use a wide sawblade (e.g. 15mm), coarse teathed.

For narrow curved cuts:

- use a narrow sawblade (e.g. 6mm).

Check sawblade for flaws (cracks, broken teeth, bending) before installation. Do not use faulty sawblades.

The sawblade teeth must point in cutting direction (down)

Always wear suitable gloves when handling sawblades.

The sawblades may only be changed when the mains plug is pulled!

## Replacing the bandsaw blade

1. Isolate the machine from the supply, pull the mains plug
2. Open the top and bottom bandwheel doors by turning the door locks (A, Fig 21) with a flat bladed screwdriver.

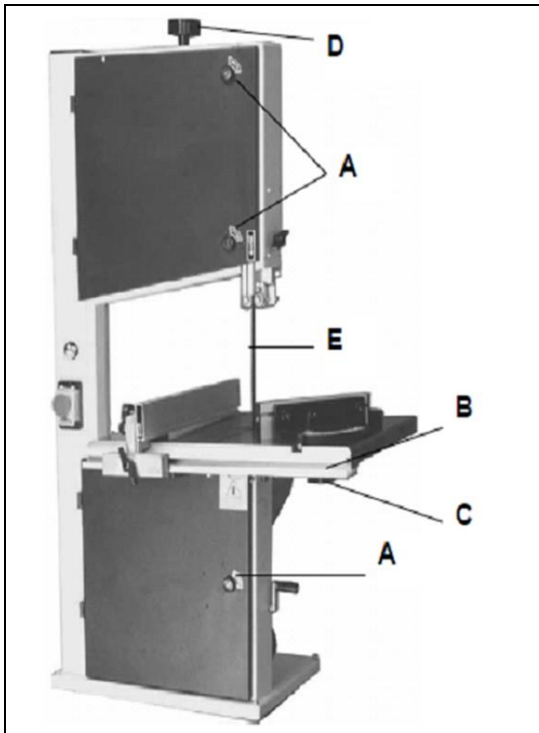


Fig 21

3. Remove the Rip fence guide (B) from the front of the table by releasing the 4 winged screws (C).
4. Release the blade tension by turning the large knob (D).
5. Remove the sawblade (E) by feeding it through the slot in the table, upper blade guides and guard and the slot in the spine of the machine taking care not to cut yourself, wear gloves if necessary.
6. When fitting the new blade ensure the blade teeth are pointing downwards and towards you at the position where the blade passes through the table.
7. Re-tension the new blade and check the blade tracking by turning the upper wheel by hand. The blade should run in the centre of the bandwheel. (see Fig 23)
8. If required adjust the tracking using tracking knob and lock knob (F, Fig 22) to the rear of the upper bandwheel housing. When the tracking is correct lock the setting.

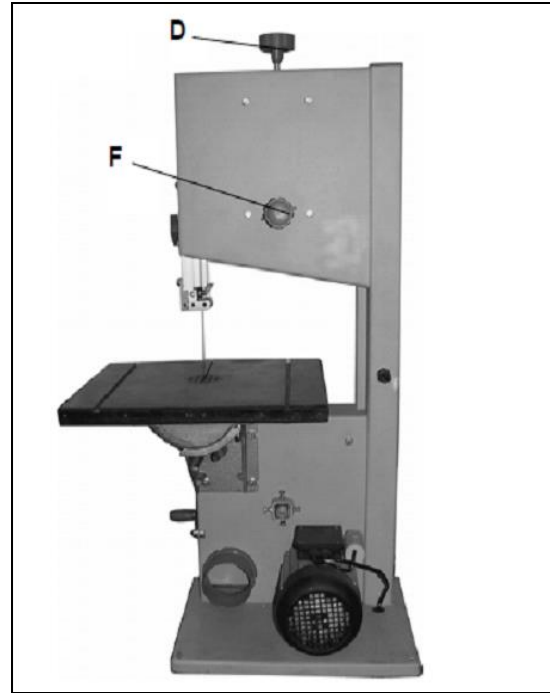


Fig 22

9. Re-set the blade guides as described in the section headed "Adjusting the blade guides"
10. Replace the rip fence guide.
11. Close and lock both the bandwheel doors before re connecting the power supply.

## 7.2 Blade tracking adjustment

Blade tracking shall never be performed when the machine is running.

The sawblade must run on the centre of the rubber tyres.

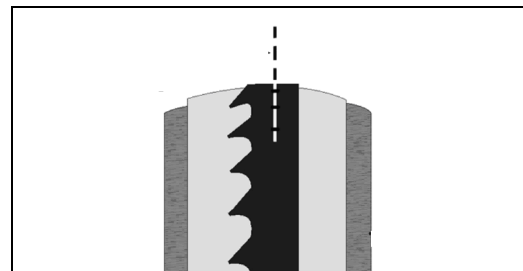


Fig 23

With the knob on the back of the machine (F, Fig 22) the blade tracking can be adjusted.

Tighten the placed sawblade sufficiently.

Follow the scale on the back of the machine.

## 7.3 Blade tension adjustment

### Quick blade tension lever

Place the quick blade tension lever in the Tension position.

Blade tension is set with the blade tension handwheel.

Tighten the placed sawblade sufficiently.

Follow the scale on the back of the machine.

**Note:**

When the band saw is not in use, lower the blade tension. This will prolong the blade's life.

**7.4 Blade guide adjustment**

Blade guide adjustment shall never be performed when the machine is running.

Loosen the hex nut (B, Fig 24) and position the guide assembly forward/ backward so that the teeth keep a distance of appr. 2mm to the lateral guide rollers (A).

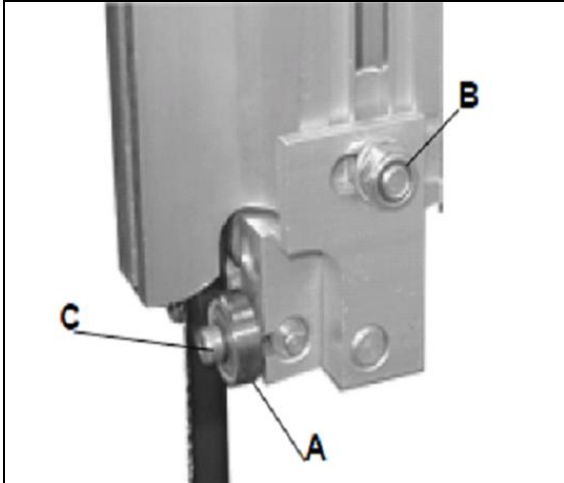


Fig 24

Loosen the hex socket bolt (E, Fig 26) and lock the back guide roller (D) so that the distance to the saw blade is 1mm

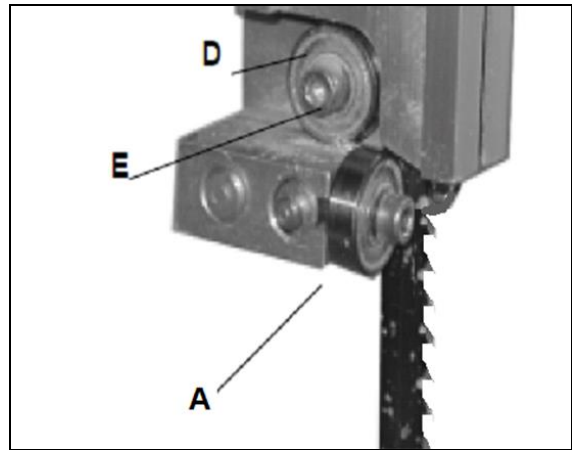


Fig 26

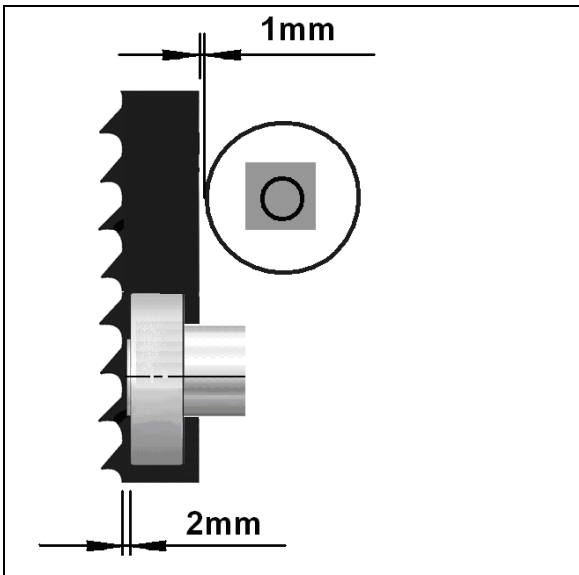


Fig 25

Loosen the hex socket bolt (C) and set the lateral guide rollers (A) so that they contact the sawblade lightly. The sawblade may not be pushed out of place.

**Lower blade guide:**

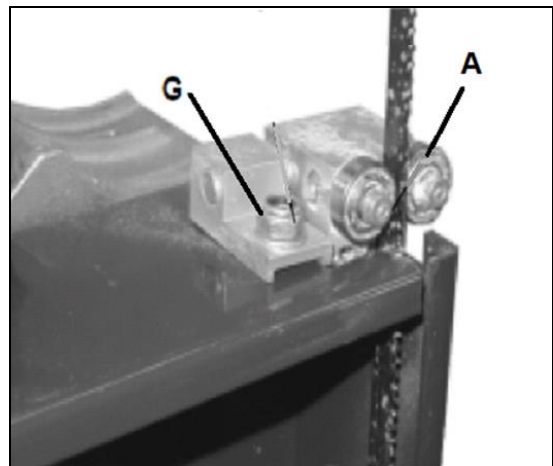


Fig 27

Loosen the hex nut (G, Fig 27) and position the guide assembly forward/ backward so that the teeth keep a distance of appr. 2mm to the lateral guide rollers (A).

**Test run:**

Turn the wheels by hand and inspect the adjustments made.

Start the machine with care.

**7.5 Folding the bandsaw blade**

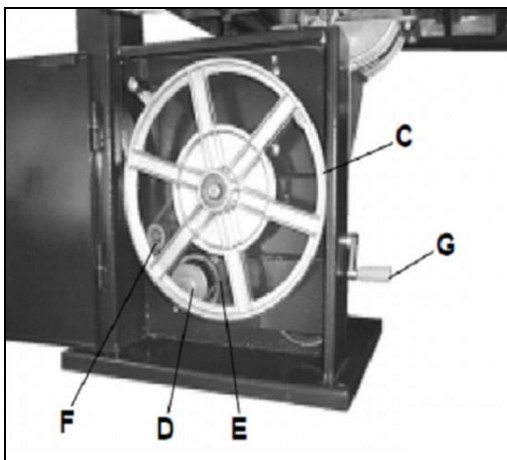
Hold the bandsaw blade in one hand. Let it hang down vertically and hold it to the floor with a foot. Turn your hand through 360° (a complete circle), as you move it down towards the floor.

**7.6 Changing the Blade Speed**

This band saw has two blade speeds:

- 370 m/min for hardwoods, some plastics and certain non ferrous metals.
- 800 m/min for all other timber.

The lower bandwheel (C, Fig 28) has two Poly-V pulleys, the motor has a Twin-Poly-V pulley (D).

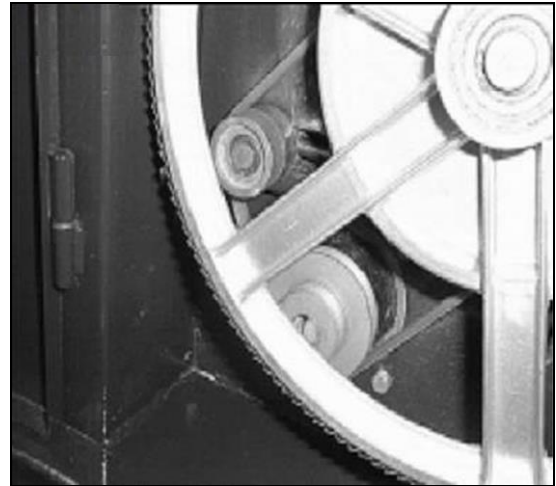


**Fig 28**

The Poly-V-belt (E) passes around the bandwheel pulley, the motor pulley and the plain tension roller (F). The belt tension is released and applied by using the cranked handle (G), this moves the tension roller and allows the speed to be changed.

To change the belt the lower bandwheel must be removed.

For the high speed the belt must be fitted to the rear pulley on both the motor and bandwheel. As shown in Fig. 29.



**Fig 29**

For the low speed the belt should be fitted to the front pulley on both the motor and bandwheel. As shown in Fig. 30.



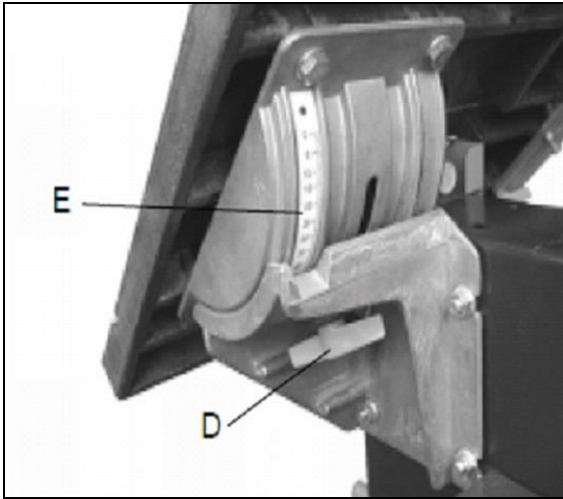
**Fig 30**

**7.7 Table tilting**

To tilt the table to a specific angle.

Ensure the table is clear of loose objects.

Loosen the winged nut (D, Fig 31) on the lower trunion, then tilt the table to the angle required using the scale (E).



**Fig 31**

Retighten the winged nut.

**Note:-** When using the table at an angle always have the rip fence on the lower side of the table to support the workpiece.

## 8. Maintenance and inspection

### General notes:

**Maintenance, cleaning and repair work may only be carried out after the machine is protected against accidental starting by pulling the mains plug.**

Repair and maintenance work on the electrical system may only be carried out by a qualified electrician.

Clean the machine regularly.

NEVER USE WATER OR OTHER LIQUIDS TO CLEAN THE MACHINE. USE A BRUSH.

Keep the ventilation slots of the motor clean to prevent it from overheating.

Inspect the proper function of the dust extraction daily.

All protective and safety devices must be re-attached immediately after completed cleaning, repair and maintenance work.

Defective safety devices must be replaced immediately.

Inspect the correct blade tension regularly. Take away the blade tension if the machine is not in use for a longer time period.

Inspect the blade guide adjustment regularly.

### Wheels:

The rubber tyre of the wheels must be cleaned regularly.

The upper wheel support must be lubricated regularly.

### Drive:

The belt tension must be inspected regularly.

### Table insert:

Replace a worn table insert.

The table insert may not project above table surface.

The table insert must be made out of cuttable material (e.g. wood, plastic, aluminium)

JET Stock number: JBS12-120

The table insert may not project above table surface.

### Saw blades:

The servicing of saw blades should only be performed by a trained person.

Only use sharp and properly set saw blades.

## 9. Trouble shooting

### Motor doesn't start

\*No electricity-  
check mains and fuse.

\*Defective switch, motor or cord-  
consult an electrician.

### Machine vibrates excessively

\*Stand on uneven floor-  
adjust stand for even support.

\*dust on wheel-  
clean tires.

\*sawblade has cracks-  
replace sawblade immediately

### Cut is not square

\*Table stop setting wrong.

\*Blade guide setting is bad

### Cutting surfaces is bad

\*Wrong sawblade used

\*resin collection on sawblade

\*sawblade is dull

\*Blade guide setting is bad

\*Blade tension too low

\*workpiece inhomogeneous

\*Feed pressure too high-

Do not force the workpiece.

## 10. Environmental protection

Protect the environment.

Your appliance contains valuable materials which can be recovered or recycled. Please leave it at a specialized institution.

## 11. Available accessories

Refer to the JET-Pricelist for various saw blades.

### Stock number 709209

Foldable roller stand.





# DE - DEUTSCH

## Gebrauchsanleitung

Sehr geehrter Kunde,

vielen Dank für das Vertrauen, welches Sie uns beim Kauf Ihrer neuen JET-Maschine entgegengebracht haben. Diese Anleitung ist für den Inhaber und die Bediener zum Zweck einer sicheren Inbetriebnahme, Bedienung und Wartung der **Bandsäge JBS-12** erstellt worden. Beachten Sie bitte die Informationen dieser Gebrauchsanleitung und der beiliegenden Dokumente. Lesen Sie diese Anleitung vollständig, insbesondere die Sicherheitshinweise, bevor Sie die Maschine zusammenbauen, in Betrieb nehmen oder warten. Um eine maximale Lebensdauer und Leistungsfähigkeit Ihrer Maschinen zu erreichen befolgen Sie bitte sorgfältig die Anweisungen.

### Inhaltsverzeichnis

#### 1. Konformitätserklärung

#### 2. Garantieleistungen

#### 3. Sicherheit

Bestimmungsgemäße Verwendung  
Allgemeine Sicherheitshinweise  
Restrisiken

#### 4. Maschinenspezifikation

Technische Daten  
Schallemission  
Staubemission  
Lieferumfang

#### 5. Transport und Inbetriebnahme

Transport und Aufstellung  
Montage  
Elektrischer Anschluss  
Absaug Anschluss  
Inbetriebnahme

#### 6. Betrieb der Maschine

#### 7. Rüst- und Einstellarbeiten

Montage des Sägebandes  
Einstellung des Bandlaufes  
Einstellung der Bandspannung  
Einstellung der Bandführung  
Zusammenlegen des Bandes  
Änderung der Bandgeschwindigkeit  
Schwenken des Sägetisches

#### 8. Wartung und Inspektion

#### 9. Störungsabhilfe

#### 10. Umweltschutz

#### 11. Lieferbares Zubehör

#### 1. Konformitätserklärung

Wir erklären in alleiniger Verantwortlichkeit, dass dieses Produkt mit den auf Seite 2 angegebenen Richtlinien\* übereinstimmt. Bei der Konstruktion wurden folgende Normen\*\* berücksichtigt und eine EG-Baumusterprüfung\*\*\* von \*\*\*\* durchgeführt.

#### 2. Garantieleistungen

JPW (Tool) AG garantiert, dass das/die von ihr gelieferte/n Produkt/e frei von Material- und Herstellungsfehlern ist.

Diese Garantie deckt keinerlei Mängel, Schäden und Fehler ab, die - direkt oder indirekt - durch falsche oder nicht sachgemäße Verwendung, Fahrlässigkeit, Unfallschäden, Reparaturen oder unzureichende Wartungs- oder Reinigungsarbeiten sowie durch natürliche Abnutzung durch den Gebrauch verursacht werden.

Weitere Einzelheiten zur Garantie können den allgemeinen Geschäftsbedingungen (AGB) entnommen werden.

Diese können Ihnen auf Wunsch per Post oder Mail zugesendet werden.

JPW (Tool) AG behält sich das Recht vor, jederzeit Änderungen am Produkt und am Zubehör vorzunehmen.

#### 3. Sicherheit

##### 3.1 Bestimmungsgemäße Verwendung

Die Maschine ist geeignet zum Sägen von Holz und Holzersatzstoffen, sowie diesen ähnlich zu bearbeitende harte Kunststoffe.

Die Bearbeitung anderer Werkstoffe ist nicht zulässig bzw. darf in Sonderfällen nur nach Rücksprache mit dem Maschinenhersteller erfolgen.

Es dürfen keine metallischen Werkstoffe bearbeitet werden.

Es dürfen nur Werkstücke bearbeitet werden welche sicher aufgelegt und geführt werden können.

Die bestimmungsgemäße Verwendung beinhaltet auch die Einhaltung der vom Hersteller angegebenen Betriebs- und Wartungsanweisungen.

Die Maschine darf ausschließlich von Personen bedient werden, die mit Betrieb und Wartung vertraut und über die Gefahren unterrichtet sind.

Das gesetzliche Mindestalter ist einzuhalten.

Die Maschine nur in technisch einwandfreiem Zustand benutzen.

Beim Arbeiten an der Maschine müssen sämtliche Schutzeinrichtungen und Abdeckungen montiert sein.

Neben den in der Gebrauchsanleitung enthaltenen Sicherheitshinweisen und den besonderen Vorschriften Ihres Landes sind die für den Betrieb von Holzbearbeitungsmaschinen allgemein anerkannten fachtechnischen Regeln zu beachten.

Jeder darüber hinaus gehende Gebrauch gilt als nicht bestimmungsgemäß und für daraus resultierende Schäden haftet der Hersteller nicht. Das Risiko trägt allein der Benutzer.

### 3.2 Allgemeine Sicherheitshinweise

Holzbearbeitungsmaschinen können bei unsachgemäßem Gebrauch gefährlich sein. Deshalb ist zum sicheren Betreiben die Beachtung der zutreffenden Unfallverhütungs- vorschritten und der nachfolgenden Hinweise erforderlich.

Lesen und verstehen Sie die komplette Gebrauchsanleitung bevor Sie mit Montage oder Betrieb der Maschine beginnen.

Bewahren Sie die Bedienungsanleitung, geschützt vor Schmutz und Feuchtigkeit, bei der Maschine auf, und geben Sie sie an einen neuen Eigentümer weiter.

An der Maschine dürfen keine Veränderungen, An- und Umbauten vorgenommen werden.

Überprüfen Sie täglich vor dem Einschalten der Maschine die einwandfreie Funktion und das Vorhandensein der erforderlichen Schutzeinrichtungen.

Festgestellte Mängel an der Maschine oder den Sicherheitseinrichtungen sind zu melden und von den beauftragten Personen zu beheben.

Nehmen Sie die Maschine in solchen Fällen nicht in Betrieb, sichern Sie die Maschine gegen Einschalten durch Ziehen des Netzsteckers.

Zum Schutz von langem Kopfhaar Mütze oder Haarnetz aufsetzen.

Enganliegende Kleidung tragen, Schmuck, Ringe und Armbanduhren ablegen.

Tragen Sie Schutzschuhe, keinesfalls Freizeitschuhe oder Sandalen.

Verwenden Sie die durch Vorschriften geforderte persönliche Schutzausrüstung

- Augenschutz
- Gehörschutz
- Staubschutz

Beim Arbeiten an der Maschine **keine Handschuhe** tragen.

Zum Handhaben des Sägebandes geeignete Arbeitshandschuhe tragen.

Verwenden Sie bei den Arbeiten mit längeren Werkstücken geeignete Tischverlängerungen, Rollbahnen, etc.

Beachten Sie das in dieser Betriebsanleitung enthaltene Kapitel zu den Sicherem Arbeitsweisen.

Achten Sie auf die Auslaufzeit der Maschine, sie darf in keinem Fall 10 s übersteigen.

Beim Sägen von Rundholz das Werkstück gegen Verdrehen sichern. Beim Sägen von unhandlichen Werkstücken geeignete Hilfsmittel zum Abstützen verwenden.

Die obere Bandführung möglichst nahe an das Werkstück absenken.

Bei schräggeltem Tisch den Längsanschlag an der unteren Tisshälfte ansetzen.

Es ist darauf zu achten dass alle Werkstücke beim Bearbeiten sicher gehalten und sicher geführt werden.

Abgesägte, eingeklemmte Werkstücke nur bei ausgeschaltetem Motor und Stillstand des Sägebandes entfernen.

Die Maschine so aufstellen, dass genügend Platz zum Bedienen und zum Führen der Werkstücke gegeben ist.

Sorgen Sie für gute Beleuchtung.

Achten Sie darauf, dass die Maschine standsicher auf festem und ebenem Grund steht.

Beachten Sie dass die elektrische Zuleitung nicht den Arbeitsablauf behindert und nicht zur Stolperstelle wird

Den Arbeitsplatz frei von behindernden Werkstücken, etc. halten.

Seien Sie aufmerksam und konzentriert. Gehen Sie mit Vernunft an die Arbeit.

Achten Sie auf ergonomische Körperhaltung.

Sorgen Sie für sicheren Stand und halten Sie jederzeit das Gleichgewicht.

Arbeiten Sie niemals unter dem Einfluss von Rauschmitteln wie Alkohol und Drogen an der Maschine. Beachten Sie, dass auch Medikamente Einfluss auf Ihr Verhalten nehmen können.

Halten Sie Unbeteiligte, insbesondere Kinder vom Gefahrenbereich fern.

Die laufende Maschine nie unbeaufsichtigt lassen. Vor dem Verlassen des Arbeitsplatzes die Maschine ausschalten.

Benützen Sie die Maschine nicht in der Nähe von brennbaren Flüssigkeiten oder Gasen.

Beachten Sie die Brandmelde- und Brandbekämpfungsmöglichkeiten z.B. Standort und Bedienung von Feuerlöschern.

Benützen Sie die Maschine nicht in feuchter Umgebung und setzen Sie sie nicht dem Regen aus.

Achten Sie stets darauf, dass keine zu große Staubkonzentration entsteht – verwenden Sie stets eine geeignete Absauganlage Holzstaub ist explosiv und kann gesundheitsschädigend sein. Insbesondere tropische Hölzer und harte Hölzer wie Buche und Eiche sind als krebserregend eingestuft.

Vor der Bearbeitung Nägel und andere Fremdkörper aus dem Werkstück entfernen.

Bei schmalen Werkstücken am Ende der Bearbeitung mit dem Schiebeh Holz vorschieben.

Der Schiebstock oder der Handgriff für eine Schiebeh Holz sollte bei Nichtbenützung immer an der Maschine aufbewahrt werden.

Angaben über die min. und max. Werkstückabmessungen müssen eingehalten werden.

Späne und Werkstückteile nur bei stehender Maschine entfernen.

Nicht auf der Maschine stehen.

Arbeiten an der elektrischen Ausrüstung der Maschine dürfen nur durch eine Elektrofachkraft vorgenommen werden.

Tauschen Sie ein beschädigtes Netzkabel sofort aus.

Umrüst-, Einstell- und Reinigungsarbeiten nur im Maschinenstillstand und bei gezogenem Netzstecker vornehmen.

Schadhafte Sägeblätter sofort ersetzen.

### 3.3 Restrisiken

Auch bei vorschriftsmäßiger Benutzung der Maschine bestehen die nachfolgend aufgeführten Restrisiken:

Verletzungsgefahr durch das frei laufende Sägeband im Arbeitsbereich.

Gefährdung durch Bruch des Sägebandes.

Gefährdung durch wegfliegende Werkstückeile.

Gefährdung durch Lärm und Staub.

Unbedingt persönliche Schutzausrüstung wie Augen- Gehör- und Staubschutz tragen.

Eine geeignete Absauganlage einsetzen!

Gefährdung durch Strom, bei nicht ordnungsgemäßer Verkabelung.

## 4. Maschinenspezifikation

### 4.1 Technische Daten

Rollendurchmesser	315 mm
Schnittbreite	max. 305 mm
Schnitthöhe	max. 180 mm
Sägebandlänge	2240 mm
Sägebandbreite:	6 - 15 mm
Sägebandstärke	0,4 – 0,6 mm
Schnittgeschwindigkeit:	370 oder 800 m/min
Arbeitstisch(L x B)	400x480 mm
Arbeitstischneigung	0° bis 45°
Arbeitstischhöhe mit Untergestell	1000mm
Absaugstutzen	100mm

Maschinenabmessung ohne Untergestell (BxTxH)	600 x 805 x 1320mm
Maschinengewicht ohne Untergestell	62 kg

Maschinenabmessung mit Untergestell (BxTxH)	655x 915 x 1860mm
Maschinengewicht mit Untergestell	68 kg

Netzanschluss	1~230V, 50Hz
Motorleistung	800W
Betriebsstrom	3,5 A
Anschlussleitung(H07RN-F)	3x1,5mm <sup>2</sup>
Bauseitige Absicherung	10A

### 4.2 Schallemission

Werte ermittelt nach EN 1807  
(Messunsicherheitsfaktor 3 dB)  
Werkstück Buche:  
T=30mm, L=1500mm, Feuchte 8,5%

Schalleistungspegel (nach EN ISO 3746):	
Leerlauf	LwA 85,0 dB(A)
Bearbeitung	LwA 96,4 dB(A)

Schalldruckpegel (nach EN ISO 11202):	
Leerlauf	LpA 72,6 dB(A)
Bearbeitung	LpA 83,4 dB(A)

Die angegebenen Werte sind Emissionspegel und sind nicht notwendigerweise Pegel für sicheres Arbeiten. Obwohl es einen Zusammenhang zwischen Emissions- und Immissionspegel gibt, kann daraus nicht zuverlässig abgeleitet werden, ob zusätzliche Maßnahmen erforderlich sind.

Die den aktuellen am Arbeitsplatz vorhandenen Immissionspegel beeinflussenden Faktoren umfassen die Dauer der Exposition, die Raumcharakteristik, andere Lärmquellen usw. wie z.B. die Anzahl der Maschinen und andere benachbarte Bearbeitungsvorgänge. Außerdem kann der zulässige Immissionspegel von Land zu Land unterschiedlich sein.

Trotzdem ist diese Information geeignet, dem Anwender der Maschine eine bessere Abschätzung der Gefährdung und des Risikos zu ermöglichen.

### 4.3 Staubemission

Die Bandsäge JBS-12 wurde staubemissionsbewertet.

Bei 20 m/s Luftgeschwindigkeit am  
Absaugstutzen Durchmesser 100mm:

Unterdruck 1250 Pa  
Volumenstrom 565 m<sup>3</sup>/h

Ein Staubgehalt von 2 mg/m<sup>3</sup> am Arbeitsplatz ist dauerhaft eingehalten.

### 4.4 Lieferumfang

Untergestell  
Maschinentisch  
Längsanschlag  
Anschlagschienen  
Gehrungsanschlag  
Absaugstutzen 100mm  
Montagezubehör  
Sägeband 13 mm  
Gebrauchsanleitung  
Ersatzteilliste

## 5. Transport und Inbetriebnahme

### 5.1. Transport und Aufstellung

Die Maschine wird in Karton verpackt ausgeliefert.  
Zum Transport verwenden Sie einen handelsüblichen Stapler oder Hubwagen. Sichern Sie die Maschine beim Transport gegen Umfallen.

Die Aufstellung der Maschine sollte in geschlossenen Räumen erfolgen, tischlerübliche Bedingungen in der Werkstatt sind dabei ausreichend.

Die Aufstellfläche muss ausreichend eben und belastungsfähig sein.

### Stabilität der Bandsäge

Vor der Benutzung der Bandsäge stellen Sie sicher, dass die Standsicherheit der Maschine gegeben ist. Die Bandsäge verfügt über vier Ø8mm Bohrungen (A, Fig 1) mit denen sie auf einer Werkbank oder dem gelieferten Untergestell festgeschraubt werden kann.

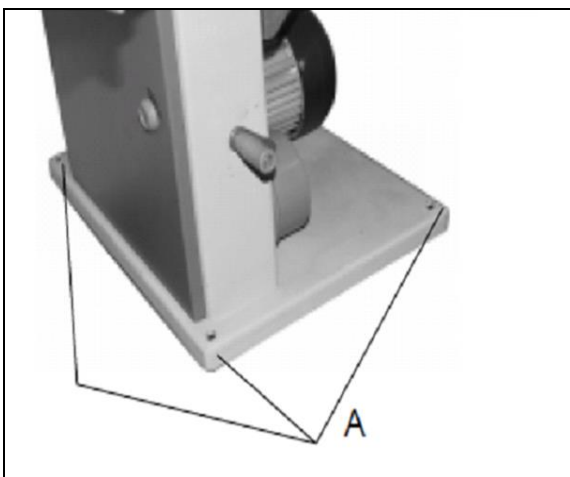


Fig 1

Aus verpackungstechnischen Gründen ist die Maschine nicht komplett montiert.

### 5.2. Montage

Wenn Sie beim Auspacken einen Transportschaden feststellen benachrichtigen Sie umgehend Ihren Händler, nehmen Sie das Gerät nicht in Betrieb!

Entsorgen Sie die Verpackung bitte umweltgerecht.

Entfernen Sie das Rostschutzfett vom Maschinentisch mit einem milden Lösungsmittel.

Vor der Benutzung müssen die folgenden Teile montiert werden:

Bandsägetisch, Längsanschlag und Kurbelhandgriff.

### Montage des Tisches

Erforderliches Werkzeug: - 13mm Schraubenschlüssel

Montieren Sie die M8 x 50 Flachrundschraube und den quadratischen Kunststoffeinsatz (A, Fig 2) durch den Schlitz der Tischwippe (B) und schrauben Sie die Flügelmutter (C) provisorisch fest, um ein Herunterfallen zu vermeiden.

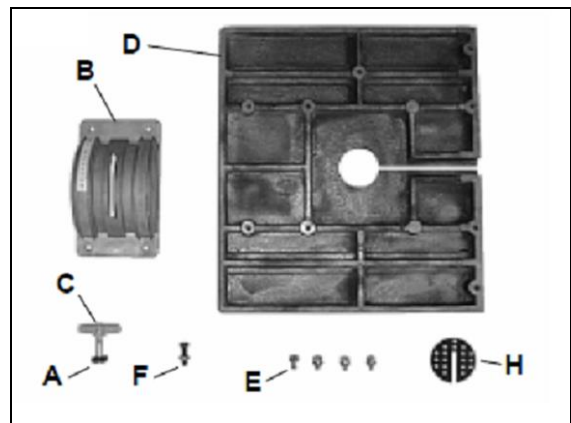


Fig 2

Bringen Sie die Tischwippe (B, Fig 3) an der Unterseite des Bandsägetisches (D) an, indem Sie die 4 - M8 x 16 Sechskantschrauben (E) und Unterlegscheiben verwenden. Stellen Sie sicher, dass sich die Neigungsskala an der Tischkante befindet.

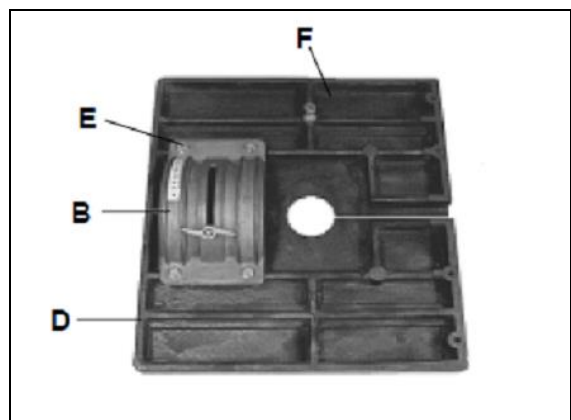


Fig 3

Bringen Sie die Neigungsstoppschraube und die Mutter (F) wie abgebildet an. Wird später eingestellt.

Entfernen Sie die Flügelmutter (C) von der Flachrundschraube (A). Montieren Sie den Tisch auf die untere Tischwippe (G). Dazu die Flachrundschraube durch die Bohrung führen und die Flügelmutter anbringen und festziehen. (Fig 4)

*(Hierfür kann Hilfe notwendig sein)*

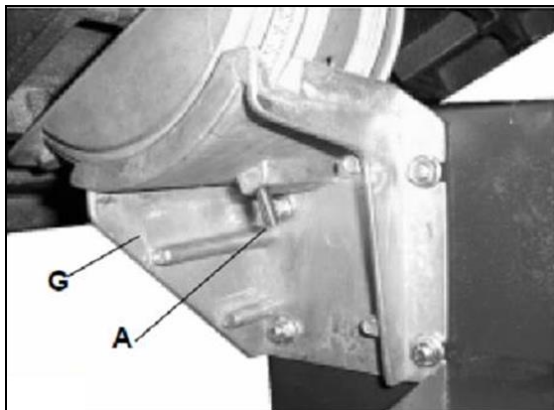


Fig 4

Montieren Sie die Tischeinlage (H, Fig 2).

**Montage des Kurbelhandgriffes**

Erforderliches Werkzeug :- Schlitzschraubendreher 10mm Schraubenschlüssel

Montieren Sie den Kurbelhandgriff (A, Fig 5) mit der M6 x 55 geschlitzten Zylinderschraube und zwei M6 Muttern.

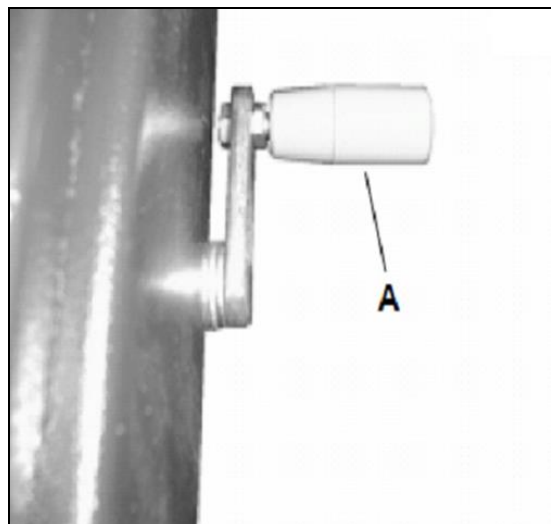


Fig 5

**Montage der Führungsschiene**

Diese Anweisung geht davon aus, dass das Sägeband bereits angebracht ist. Falls nicht, gehen Sie zum Abschnitt „Austausch des Sägebandes“.

Um den Längsanschlag anzubringen, montieren sie die Führungsschiene (J, Fig 6) mit den vier mitgelieferten

Flügelschrauben (K) und den Unterlegscheiben am Tisch. Wird später eingestellt.

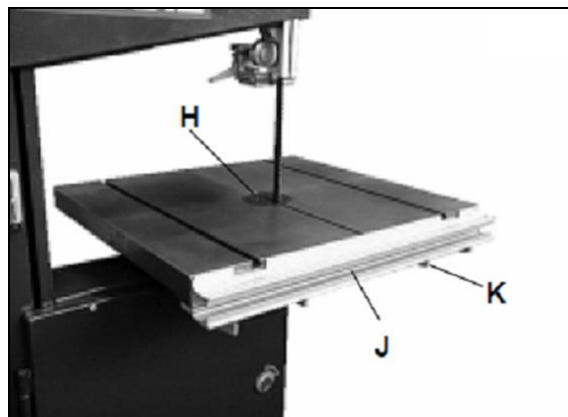


Fig 6

**Montage des Längsanschlags**

Der Längsanschlag kann auf beiden Seiten des Bandes benutzt werden, indem das Anschlaglineal (C, Fig 7) an der passenden Seite des Gussteils (B) befestigt wird.

Befestigen Sie das Gussteil (B) mit M8 x 50 Flachrundschraube und die Kunststoffflügelmutter (F).

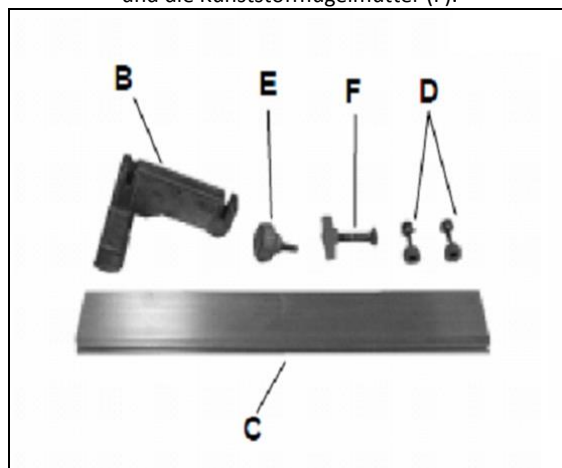


Fig 7

Montieren Sie das Anschlaglineal (C) mit zwei kleinen Rändelmuttern und M6 x 40 Flachrundschrauben (D) am Gussteil (B) und setzen Sie den Sterngriff (E) fest. (siehe Fig 8)

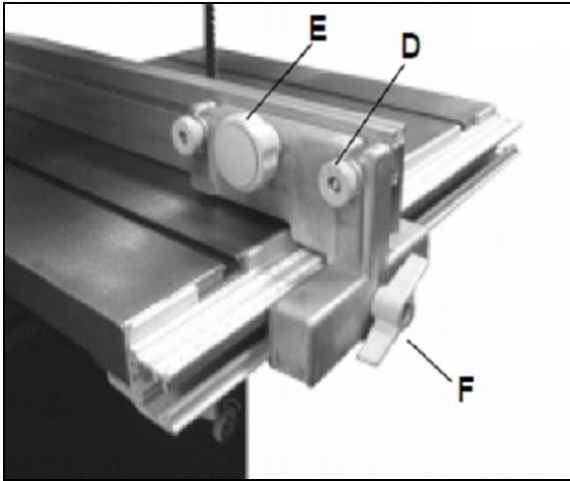


Fig 8

### Bandverlauf Ausgleich

Benutzen Sie die Griffschraube (E) zum Festklemmen.

Gegebenenfalls kann man das Anschlaglineal auch schräg stellen, um abweichende Schnittrichtung des Sägebandes auszugleichen (Bandverlauf ausgleichen).

### Zentrierung des Tisches zum Sägeband

Der Tisch lässt sich seitlich zentrieren, damit das Sägeband in der Mitte der Tischeinlage läuft.

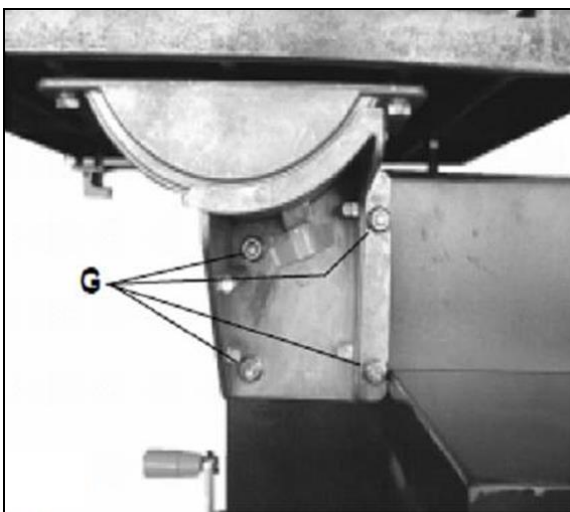


Fig 9

Bei Bedarf, lösen Sie die 4 M8 Muttern (G, Fig 9), richten sie den Tisch seitlich aus, die Muttern wieder festsetzen.

### Winkelig Ausrichten des Tisches zum Sägeband

Erforderliches Werkzeug : - 90° Winkel.

Der Tisch kann im 90° Winkel zum Sägeband eingestellt werden, indem die Tischstoppschraube unter dem Tisch justiert wird.

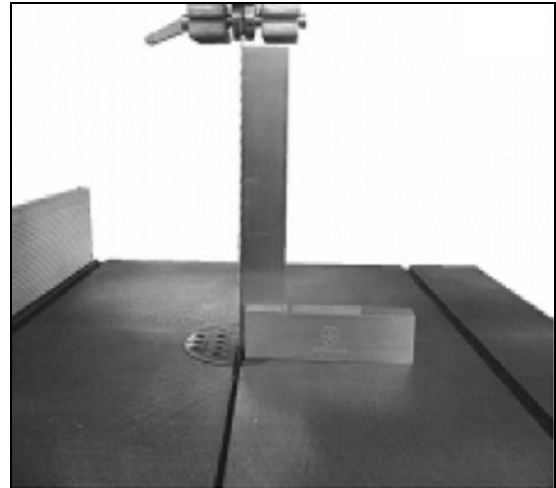


Fig 10

Die Mutter (A, Fig 11) lösen, die Schraube (B) justieren.

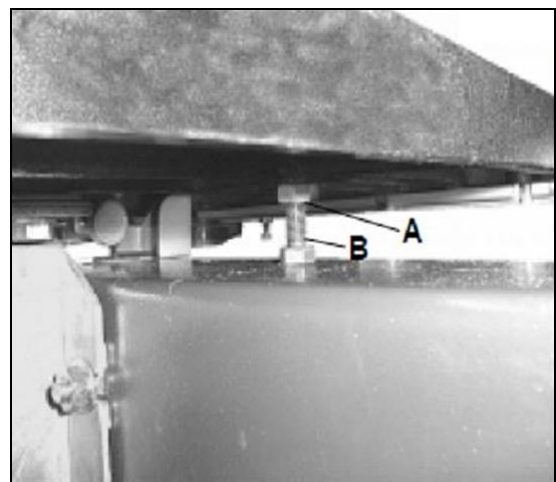


Fig 11

### Justierung der Anschlagkala

Erforderliches Werkzeug: - 10mm Schraubenschlüssel

Um die Anschlagkala zu justieren, lösen Sie die vier Flügelschrauben unter dem Tisch und bewegen Sie die Skala und die Längsanschlagführung (C, Fig 12) seitwärts. Flügelschrauben wieder festsetzen.

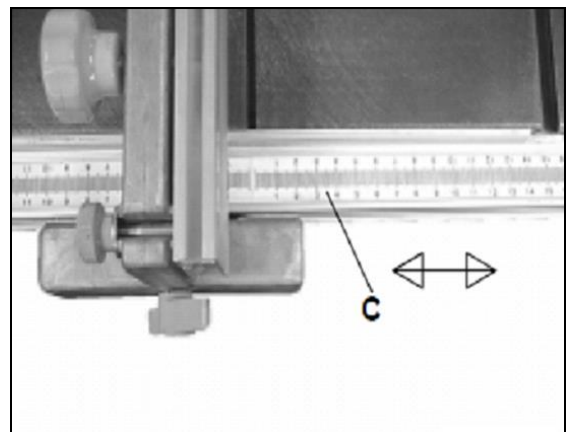


Fig 12

Wenn die Justierung korrekt ist, stimmt die Dicke des Werkstücks mit der Einstellung der Skala überein.

### Prüfung des Tisches auf Ebenheit

Legen Sie ein Stahllineal auf dem Tisch quer über den Tischschlitz. (Siehe Fig 13)

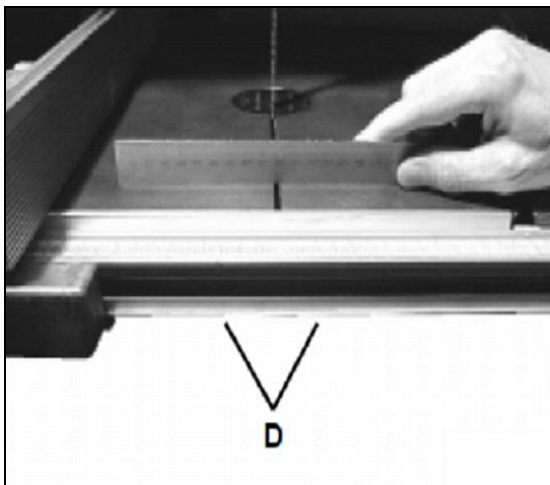


Fig 13

Falls das Stahllineal eine Stufe anzeigt, kann man mit den beiden Schrauben und Sicherungsmuttern auf der Unterseite korrigieren (D, Fig 13).

### Untere Bandschutz

Beim Öffnen der unteren Bandradtür schwingt der untere Bandschutz (C, Fig 14) nach unten.

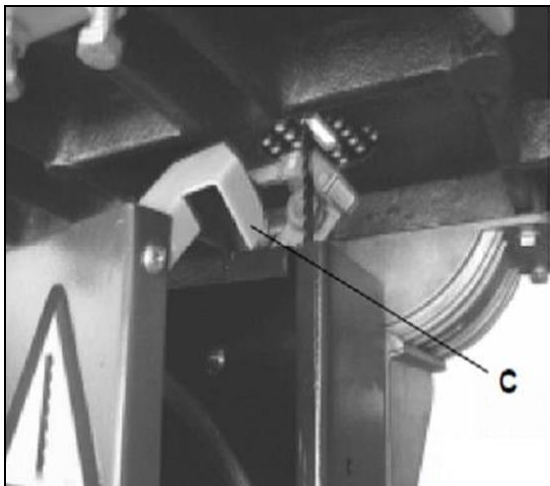


Fig 14

Beim Schließen der Tür MUSS der Bandschutz wieder in Arbeitsposition gebracht werden.

Die Bandradtüren MÜSSEN während des Betriebs der Maschine jederzeit geschlossen sein.

### 5.3 Elektrischer Anschluss

Der kundenseitige Netzanschluss sowie die verwendeten Verlängerungsleitungen müssen den Vorschriften entsprechen.

Die Netzspannung und Frequenz müssen mit den Leistungsschilddaten an der Maschine übereinstimmen.

Die bauliche Absicherung muss 10A betragen.

Verwenden Sie nur Anschlussleitungen mit Kennzeichnung H07RN-F.

Anschlüsse und Reparaturen der elektrischen Ausrüstung dürfen nur von einer Elektrofachkraft durchgeführt werden.

### 5.4 Absaug Anschluss

Die Maschine ist mit einem Absaugstutzen Ø100mm (B, Fig 15) ausgestattet.



Fig 15

Die Maschine muss vor der Inbetriebnahme an eine Absaugung angeschlossen werden und zwar derart, dass sich beim Einschalten der Bandsägemaschine die Absaugung selbsttätig mit einschaltet.

Die Mindestluftgeschwindigkeit am Absaugstutzen muss 20 m/s betragen.

Absaugschläuche müssen der Qualität „schwer entflammbar“ entsprechen und in die Erdung der Maschine mit einbezogen werden.

Die Maschine muss während der Benutzung an eine geeignete Staubabsaugung angeschlossen sein.

### 5.5 Inbetriebnahme

Mit dem grünen Eintaster am Hauptschalter kann die Maschine gestartet werden: Mit dem roten Aus-Taster kann die Maschine stillgesetzt werden.

## 6. Betrieb der Maschine

### Richtige Arbeitsstellung:

Vor der Maschinen in Schnittrichtung stehend.

### Werkstückhandhabung:

Hände außerhalb des Schnittbereichs flach auf dem Werkstück aufliegend.

Werkstück in Richtung des angezeichneten Risses dem Sägeband zuführen und durch Drehen den Schnittverlauf nach Riss bestimmen. Gleichmäßig vorschieben, nicht verkanten, den Schnitt durchgehend ausführen.

Das Werkstück nicht zurückziehen, es besteht die Gefahr dass das Sägeband von den Laufrollen abläuft.

Breite und lange Werkstücke durch Rollenböcke abstützen.

### Arbeitshinweise:

Nur mit scharfem und ausreichend geschränktem Sägeband arbeiten!

Im Schneidbereich nur mit dem Schiebestock vorschieben.

Zur sicheren Führung von kleinen und schmalen Werkstücken eine Zuführlade verwenden.

Rundholz mit geeigneter Vorrichtung gegen Drehen durch den Schnittdruck sichern.

### Schnittvorbereitung:

Die obere Bandführung ca. 2-5mm über dem Werkstück feststellen. (Siehe Fig 16)

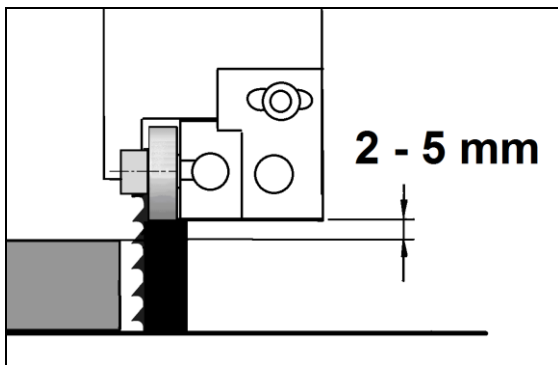


Fig 16

Zu Ihrer Sicherheit, senken Sie die obere Bandführung immer so nahe als möglich auf das Werkstück ab.

Um die Schnitthöhe zu justieren, lösen Sie die Flügelmutter (A, Fig 17) und bewegen Sie die obere Bandführung und den Bandschutz (B).

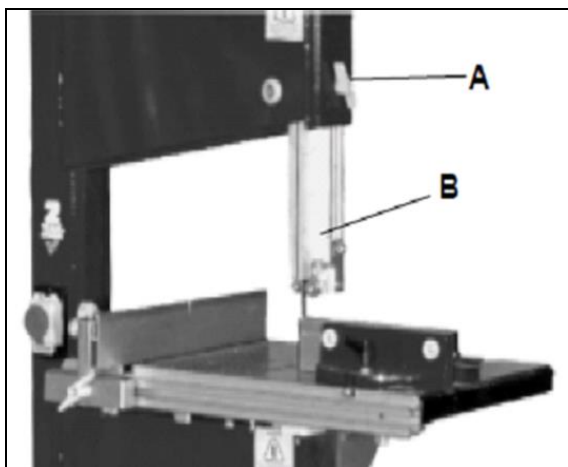


Fig 17

### Bandverlauf:

Bei Parallelschnitten und bei hohen Auftrennschnitten kommt es häufig zu Bandverlauf.

Das Sägeband verläuft dabei von der gewünschten Schnittlinie (Fig 18).

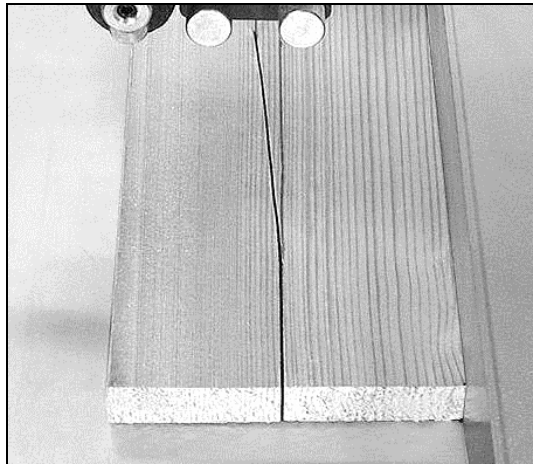


Fig 18

Es gibt mehrere Ursachen für Bandverlauf.

- Das Sägeband folgt der Faserung
- Das Sägeband ist stumpf.
- Die Bandführung ist nicht richtig eingestellt.
- Die Bandspannung ist zu gering.
- Die Band Zahnung ist asymmetrisch

Zum Ausgleich muss das Werkstück dem Schnitt folgend schräg zugeführt werden.

Die Bandsäge ermöglicht es, das Anschlaglineal mit den Schrauben (D und E, Fig 19) schräg zu stellen.

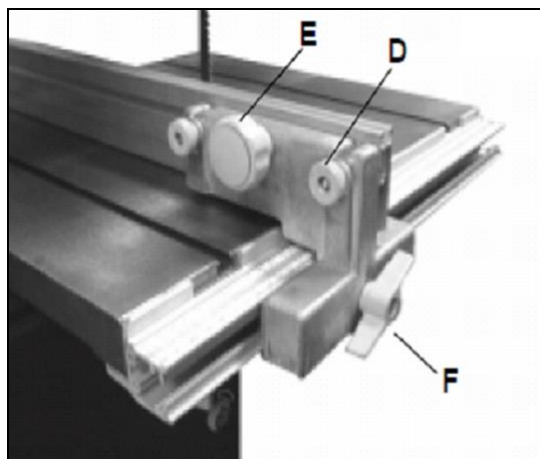


Fig 19

### Vorsatzlineal für Parallelanschlag:

Die obere Bandführung muss immer bis zum Werkstück abgesenkt werden.



Zum Ausführen von schmalen niederen Schnitten am Parallelanschlag muss ein selbstgefertigtes Vorsatzlineal (E, Fig 20) aus zerspanbarem Material (z.B. Holz, Kunststoff, Aluminium) montiert werden.  
In selber Länge wie Längsanschlag.

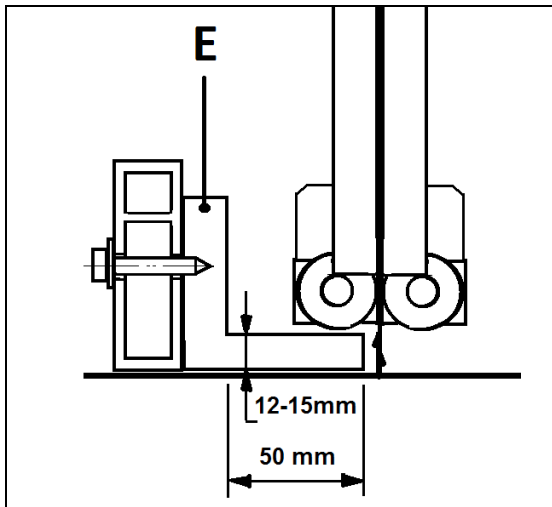
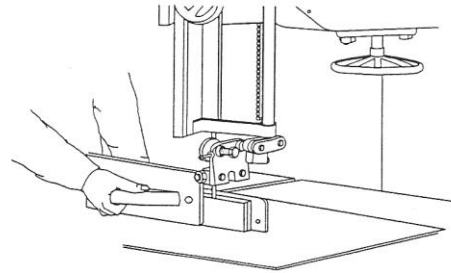
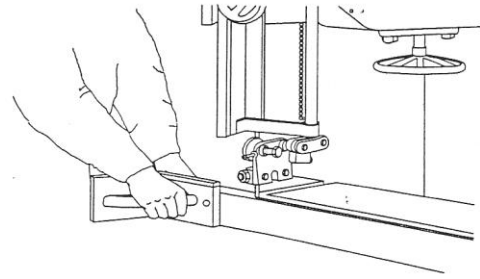


Fig 20

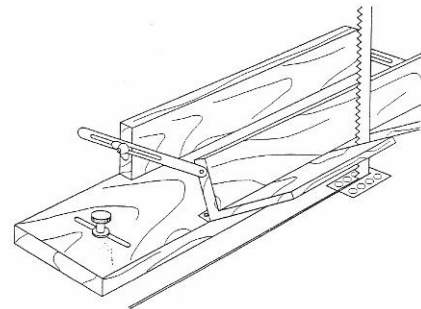
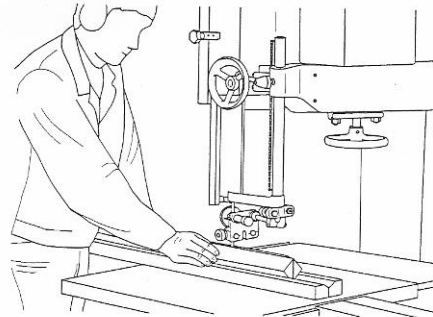
**Gehrungsanschlag:**

Der Gehrungsanschlag wird in der Tisch T-Nut geführt

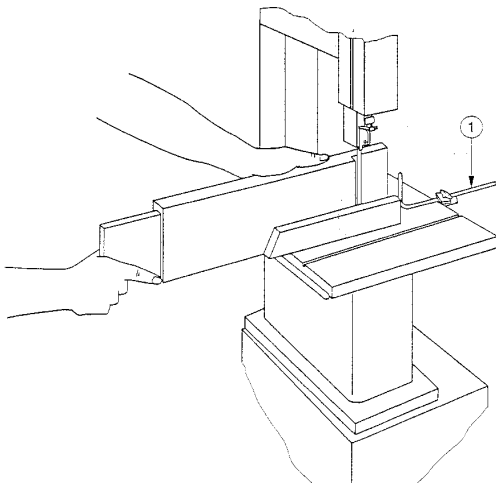
**Hinweise für "Sicheres Arbeiten" :**



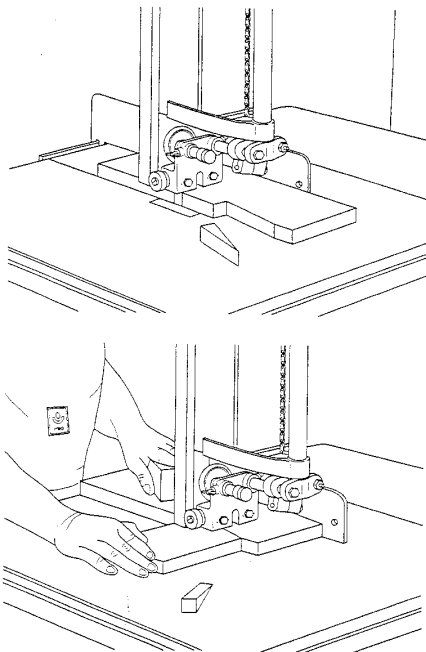
Ausführen von hohen Schnitten



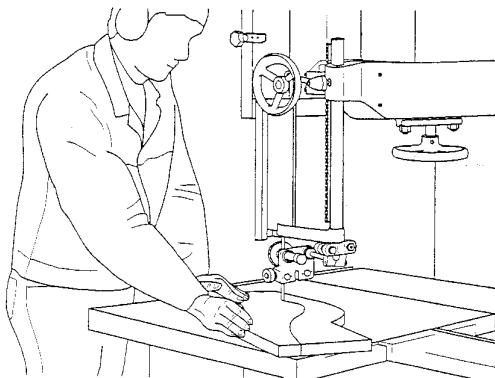
Ausführen von Schrägschnitten



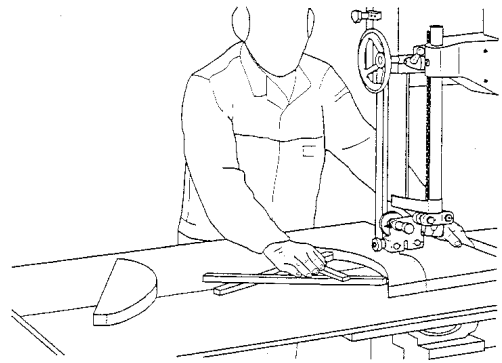
Schneiden von Zapfen



Schneiden von Keilen



Geschweifte Schnitte



Bogenförmige Schnitte

## 7. Rüst- und Einstellarbeiten

### Allgemeine Hinweise

Vor Rüst- und Einstellarbeiten muss die Maschine gegen Inbetriebnahme gesichert werden.

**Netzstecker ziehen.**

### 7.1 Montage des Sägebandes

Das Sägeband muss den angegeben technischen Daten entsprechen.

Verwenden Sie ein geeignetes Sägeband, entsprechend dem zu schneidenden Material und entsprechend der Zerspannungsaufgabe.

Für hohe Längsschnitte:

- ein breites Sägeband ( z.B. 15mm)
- mit grober Zahnteilung

Für enge Kurvenschnitte:

- ein schmales Sägeband (z.B. 6mm)

Das Sägeband vor dem Auflegen auf Fehler überprüfen (Risse, schadhafte Zähne, Verbiegung). Fehlerhafte Sägebänder nicht verwenden.

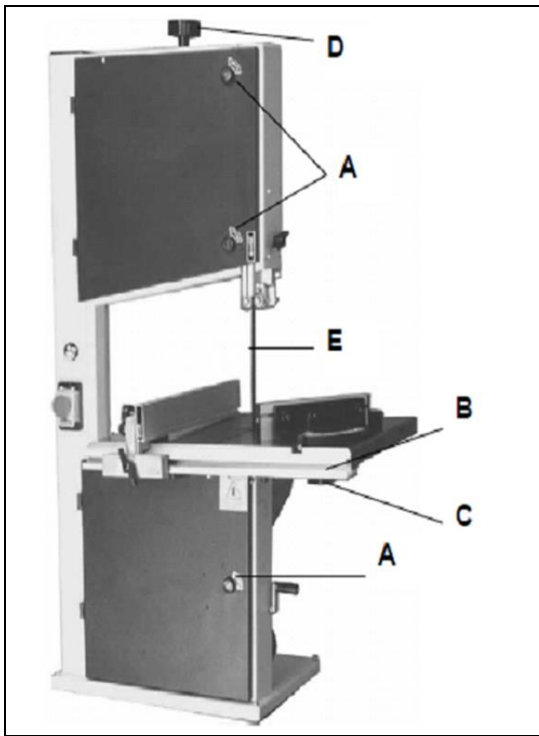
Achten Sie darauf, dass die Zähne des Sägebandes in Schnittrichtung (abwärts) zeigen.

Zum Handhaben des Sägebandes immer geeignete Arbeitshandschuhe tragen.

Der Sägebandwechsel darf nur bei gezogenem Netzstecker erfolgen.

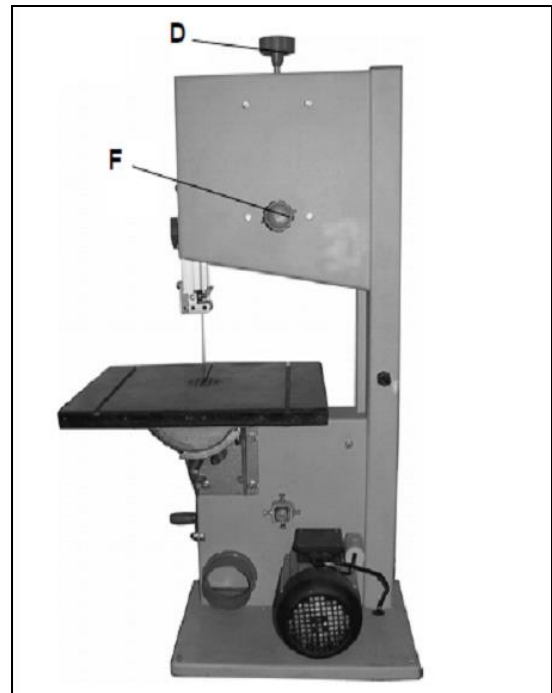
### Bandwechsel:

1. Isolieren Sie die Maschine vom Strom, indem Sie den Netzstecker ziehen.
2. Öffnen Sie die oberen und unteren Bandradtüren, indem Sie die Türschlösser (A, Fig 21) mit einem Schraubendreher drehen.



**Fig 21**

3. Entfernen Sie die Längsanschlag-Führung (B), indem Sie die 4 Flügelschrauben lösen (C).
4. Lösen Sie die Bandspannung, indem Sie den Griff (D) drehen.
5. Entfernen Sie das Sägeband (E), indem Sie es durch den Schlitz im Tisch, die obere Bandführung und die Führung sowie den Schlitz im Maschinengehäuse schieben. Achten Sie darauf sich nicht zu verletzen, tragen Sie Sicherheitshandschuhe falls notwendig.
6. Beim Einsetzen des neuen Bandes stellen Sie sicher, dass die Zähne nach unten gerichtet durch den Tisch laufen.
7. Spannen Sie das neue Band und prüfen Sie den Bandlauf, indem Sie das obere Rad mit der Hand drehen. Das Band muss in der Mitte des Bandrades laufen. (Siehe Fig 23)
8. Falls erforderlich, justieren Sie den Bandlauf an der Bandlaufeinstellschraube (F, Fig 22).



**Fig 22**

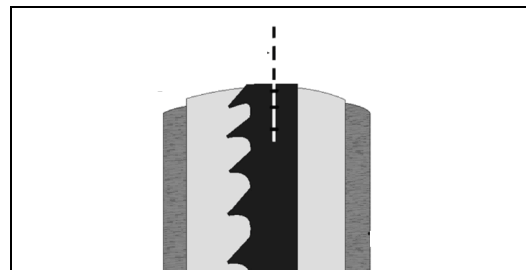
9. Stellen Sie die Bandführungen ein, wie im Abschnitt "Justierung der Bandführungen" beschrieben.
10. Montieren sie den Längsanschlag.
11. Schließen und verriegeln Sie die Bandradtüren, bevor Sie die Stromversorgung wieder anschließen.

### 7.2 Einstellung des Bandlaufes

Einstellung nie bei laufender Maschine vornehmen.

Achten Sie bei der Montage des Sägebandes auf den korrekten Lauf auf den Bandsägerollen.

Das Sägeband soll in der Mitte der Bandradauflage laufen



**Fig 23**

Über das Handrad an der Maschinenrückseite (F, Fig 22) kann der korrekte Sägebandlauf eingestellt werden.

Nach der Montage des Sägebandes ist für ausreichende Bandspannung zu achten.

### 7.3 Einstellung der Bandspannung

Spannen Sie das Sägeband am Bandspann-Handrad oben auf der Maschine.

Das Sägeband immer ausreichend spannen.

**Hinweis:**

Bei Nichtbetrieb der Maschine die Bandspannung reduzieren. Damit wird eine höhere Bandlebensdauer erzielt.

**7.4 Einstellung der Bandführung**

Einstellung nie bei laufender Maschine vornehmen.

Die Sechskantmutter (B, Fig 24) lösen und die gesamte Führung in der Tiefe so einstellen, dass der Abstand vom Zahngrund zu den seitlichen Führungsrollen (A) ca. 2 mm beträgt.

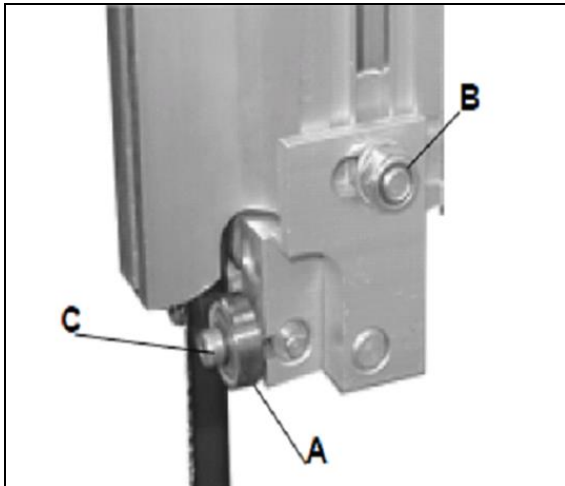


Fig 24

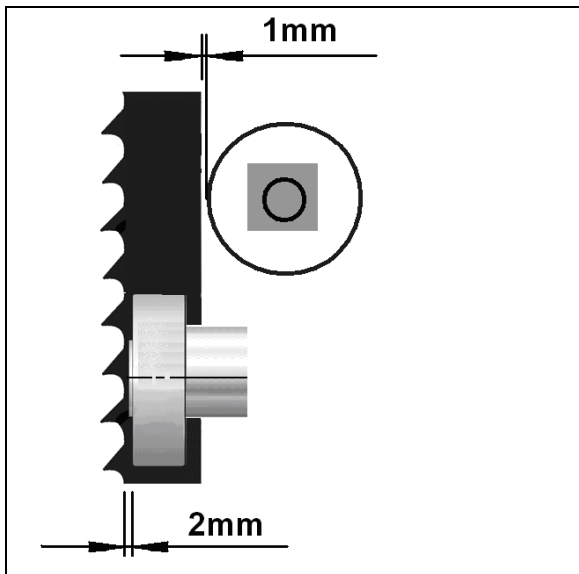


Fig 25

Die Innensechskantschrauben (C) lösen und die seitlichen Führungsrollen (A) so einstellen, dass sie das Bandsägeband leicht berühren, jedoch nicht klemmen. Es ist darauf zu achten, dass das Sägeband nicht seitlich weggedrückt wird.

Die Innensechskantschraube (E, Fig 26) lösen und die Rückenrolle (D) auf einen Abstand von 1 mm zum Sägeband einstellen.

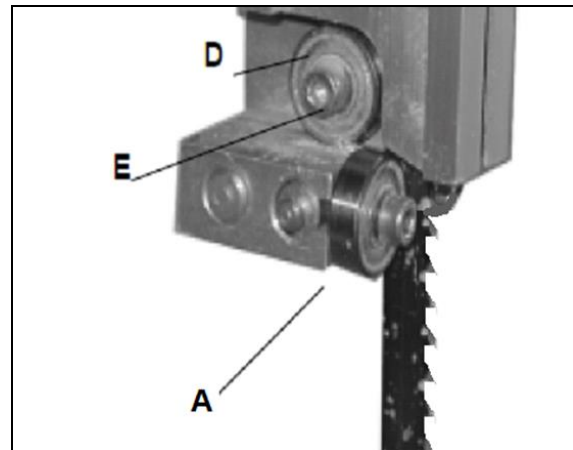


Fig 26

**Untere Bandführung:**

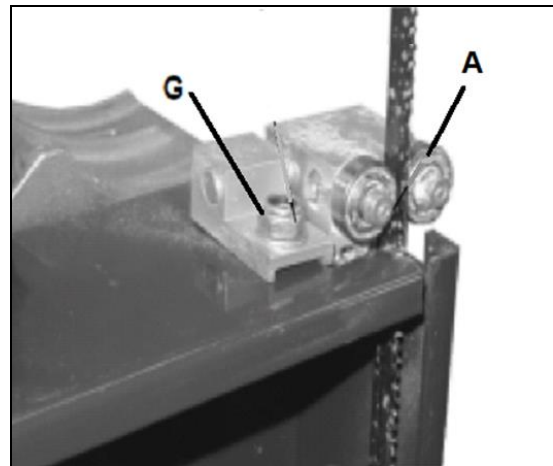


Fig 27

Die Sechskantmutter (G, Fig 27) lösen und die gesamte Führung in der Tiefe so einstellen, dass der Abstand vom Zahngrund zu den seitlichen Führungsrollen (A) ca. 2 mm beträgt.

**Bandlaufkontrolle:**

Drehen Sie die Bandsägerollen in Laufrichtung von Hand, prüfen Sie die Korrektheit der gemachten Einstellungen.

Starten Sie nachher die Maschine mit Vorsicht.

**7.5 Zusammenlegen des Bandes**

Das Sägeband mit einer Hand so halten, dass es senkrecht zum Boden hängt, mit einem Fuß auf das Band steigen, die Hand um 360°drehen und dabei gleichzeitig zum Boden hin bewegen.

**7.6 Änderung der Bandgeschwindigkeit**

Diese Bandsäge verfügt über zwei Bandgeschwindigkeiten:  
- 370 m/min für Harthölzer, einige Kunststoffe und bestimmte, nicht eisenhaltige Metalle  
- 800 m/min für alle anderen Nutzhölzer.

Das untere Bandrad (C, Fig 28) verfügt über zwei Poly-V-Riemenscheiben, der Motor verfügt über eine Zwilling-Poly-V-Riemenscheibe (D).

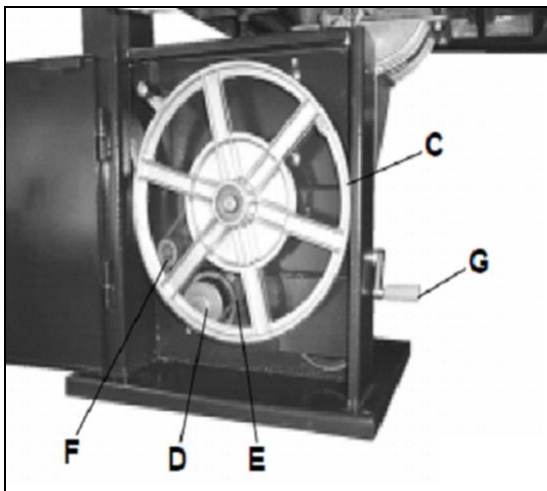


Fig 28

Der Poly-V-Riemen (E) läuft um die Bandrad-Riemenscheibe, die Motorriemenscheibe und die glatte Spannrolle (F). Der Riemen wird am Handgriff (G) gespannt.

Um den Riemen zu wechseln, muss die untere Bandrolle abgebaut werden.

Für die hohe Bandgeschwindigkeit muss der Riemen auf den hinteren Riemenscheiben aufgelegt werden, wie in Fig 29 gezeigt.

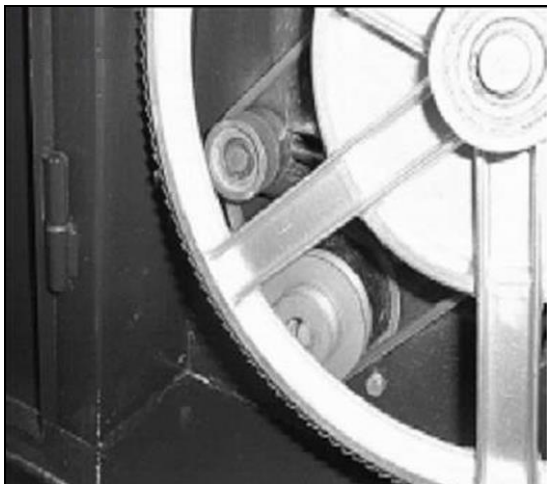


Fig 29

Für die niedrigere Bandgeschwindigkeit muss der Riemen auf den vorderen Riemenscheiben aufgelegt werden, wie in Fig 30 gezeigt.



Fig 30

### 7.7 Schwenken des Sägertisches

Um den Tisch in einem spezifischen Winkel zu neigen:

Stellen Sie sicher, dass sich auf dem Tisch keine losen Gegenstände befinden.

Lösen Sie die Flügelmutter (D, Fig 31) und neigen Sie den Tisch entsprechend der Skala (E).

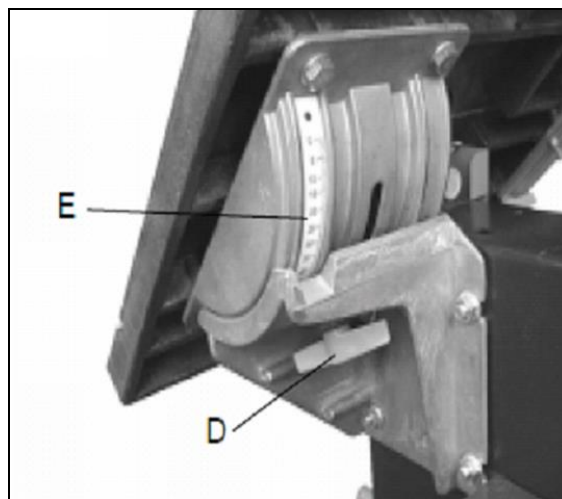


Fig 31

Die Flügelmutter wieder festsetzen.

**Hinweis:** Bei schräggestelltem Tisch, muss sich der Längsanschlag auf der unteren Seite des Tisches befinden, um das Werkstück abzustützen.

## 8. Wartung und Inspektion

### Allgemeine Hinweise

Vor Wartungs- Reinigungs- und Reparaturarbeiten muss die Maschine gegen Inbetriebnahme gesichert werden.

### Netzstecker ziehen!

Anschlüsse und Reparaturen der elektrischen Ausrüstung dürfen nur von einer Elektrofachkraft durchgeführt werden.

Reinigen Sie die Maschine in regelmäßigen Zeitabständen.

Verwenden Sie niemals Wasser oder andere Flüssigkeiten zur Reinigung der Maschine. Benutzen Sie eine Bürste oder Pinsel.

Halten Sie die Lüftungsschlitze des Motors sauber, um eine Überhitzung zu vermeiden

Prüfen Sie täglich die ausreichende Funktion der Absaugung.

Sämtliche Schutzeinrichtung sofort wieder anbringen.

Ersetzen Sie beschädigte Schutzeinrichtungen sofort.

Kontrollieren Sie regelmäßig die Bandpannung und entspannen Sie das Sägeband bei längeren Arbeitspausen.

Kontrollieren sie regelmäßig die korrekte Einstellung der Bandführung.

#### **Laufräder:**

Die Gummiauflage der Laufräder muss regelmäßig gereinigt werden.

#### **Antrieb:**

Die Antriebsriemenspannung muss regelmäßig kontrolliert werden.

#### **Tischeinlage:**

Ersetzen Sie eine Tischeinlage mit ausgefranstem Sägeschlitz.

Die Tischeinlage muss aus leicht zerspanbarem Material bestehen

(z.B. Hartholz, Kunststoff, Aluminium).

JET Teilenummer: JBS12-120

Achten Sie darauf dass eine neue Tischeinlage nicht über den Tisch übersteht.

#### **Sägebänder:**

Die Sägebandpflege sollte nur ausgebildetem Personal anvertraut werden.

Verwenden Sie nur ausreichend geschärfte und geschränkte Sägebänder.

### **9. Störungsabhilfe**

#### **Motor startet nicht**

\*Kein Strom-Zuleitung und Sicherung prüfen.

\*Motor, Schalter oder Kabel defekt-Elektrofachkraft kontaktieren.

#### **Starke Maschinenvibrationen**

\*Maschine steht uneben-Ausgleich schaffen.

\*Laufradauflage verschmutzt-Gummiauflage reinigen.

\*Sägeband eingerissen-Sägeband sofort ersetzen.

#### **Schnittwinkel nicht 90°**

\*Schwenkanschlag falsch eingestellt

\*Bandführung falsch eingestellt

#### **Schnittbild ist schlecht**

\*Falsches Sägeband gewählt

\*verharztes Sägeband

\*Sägeband stumpf

\*Bandführung nicht richtig eingestellt

\*Bandspannung nicht ausreichend

\*Werkstück inhomogen

\*Vorschubdruck zu hoch-Bearbeitung nie erzwingen.

### **10. Umweltschutz**

Schützen Sie die Umwelt!

Ihr Gerät enthält mehrere unterschiedliche, wiederverwertbare Werkstoffe.

Bitte entsorgen Sie es nur an einer spezialisierten Entsorgungsstelle.

### **11. Lieferbares Zubehör**

Sägebänder unterschiedlicher Dimension finden Sie in der Jet Preisliste.

#### **Artikel Nummer 709207**

Rollenbock klappbar

# FR - FRANCAIS

## Mode d'emploi

Cher client,

Nous vous remercions de la confiance que vous nous portez avec l'achat de votre nouvelle machine JET. Ce manuel a été préparé pour l'opérateur de la **scie à ruban JET JBS-12**. Son but, mis à part le fonctionnement de la machine, est de contribuer à la sécurité par l'application des procédés corrects d'utilisation et de maintenance. Avant de mettre l'appareil en marche, lire les consignes de sécurité et de maintenance dans leur intégralité. Pour obtenir une longévité et fiabilité maximales de votre scie, et pour contribuer à l'usage sûr de la machine, veuillez lire attentivement ce mode d'emploi et en suivre les instructions.

### Table des Matières

#### 1. Déclaration de conformité

#### 2. Prestations de garantie

#### 3. Sécurité

Utilisation conforme  
Consignes de sécurité  
Risques

#### 4. Spécifications

Indications techniques  
Emission de bruit  
Emission de poussières  
Contenu de la livraison

#### 5. Transport et montage

Transport  
Montage  
Raccordement au réseau électr.  
Racc. au collecteur de poussières  
Mise en exploitation

#### 6. Fonctionnement de la machine

#### 7. Réglages

Montage du ruban  
Réglage du circuit du ruban  
Réglage de la tension du ruban  
Réglage des guides du ruban  
Pliage des rubans  
Changement de la vitesse du ruban  
Inclinaison de la table de travail

#### 8. Entretien et inspection

#### 9. Détecteur de pannes

#### 10. Protection de l'environnement

#### 11. Accessoires

#### 12. «travailler sûrement» annexe A

#### 1. Déclaration de conformité

Par le présent et sous notre responsabilité exclusive, nous déclarons que ce produit satisfait aux normes conformément aux lignes directrices indiquées page 2. Lors de la fabrication les normes suivantes \*\* ont été prises en compte et un examen CE de type \*\*\* à \*\*\*\* a été effectué

#### 2. Prestations de garantie

JPW (Tool) AG garantit que le/les produit(s) fourni(s) est/sont exempt(s) de défauts matériels et de défauts de fabrication.

Cette garantie ne couvre pas les défauts, dommages et défaillances causés, directement ou indirectement, par l'utilisation incorrecte ou inadéquate, la négligence, les dommages accidentels, la réparation, la maintenance ou le nettoyage incorrects et l'usure normale.

Vous pouvez trouver de plus amples détails sur la garantie dans les conditions générales (CG).

Les CG peuvent être envoyées sur demande par poste ou par e-mail.

JPW (Tool) AG se réserve le droit d'effectuer des changements sur le produit et les accessoires à tout moment.

#### 3. Sécurité

##### 3.1 Utilisation conforme

Cette scie convient au sciage du bois et des dérivés du bois ainsi qu'au caoutchouc d'une dureté similaire. Le travail d'autres matériaux est interdit et ne peut être effectué que dans des cas spéciaux et après accord du fabricant de la machine.

La machine n'est pas conçue pour un sciage de matériaux métalliques.

La pièce doit pouvoir être posée et guidée sans problèmes.

L'utilisation conforme implique le strict respect des instructions de service et de maintenance indiquées dans ce manuel.

La machine doit être exclusivement utilisée par des personnes familiarisées avec le fonctionnement, la maintenance et la remise en état, et qui sont informées des dangers correspondants.

L'âge requis par la loi est à respecter.

La machine ne doit être utilisée que si elle est techniquement en parfait état.

N'utiliser la machine que si tous les dispositifs de sécurité et de protection sont en place.

Toutes les directives relatives à la prévention des accidents ainsi que les consignes de sécurité doivent être respectées scrupuleusement.

En cas d'utilisation non-conforme de la machine, le fabricant décline toute responsabilité qui est en tel cas rejetée exclusivement sur l'utilisateur.

### 3.2 Consignes de sécurité

L'utilisation non-conforme d'une machine à bois peut être très dangereuse. C'est pourquoi vous devez lire attentivement ce mode d'emploi avant de monter ou d'utiliser votre appareil.

Conserver à proximité de la machine tous les documents fournis avec l'outillage (dans une pochette en plastique, à l'abri de la poussière, de l'huile et de l'humidité) et veiller à joindre cette documentation si vous cédez l'appareil.

Ne pas effectuer de modifications à la machine. Utiliser les accessoires recommandés, des accessoires incorrects peuvent être dangereux.

Chaque jour avant d'utiliser la machine contrôler les dispositifs de protection et le fonctionnement impeccable.

En cas de défauts à la machine ou aux dispositifs de protection avertir les personnes compétentes et ne pas utiliser la machine. Déconnecter la machine du réseau.

Avant de mettre la machine en marche, retirer cravate, bagues, montres ou autres bijoux et retrousser les manches jusqu'aux coudes. Enlever tout vêtement flottant et nouer les cheveux longs.

Porter des chaussures de sécurité, surtout pas de tenue de loisirs ou de sandales.

Porter un équipement de sécurité personnel pour travailler à la machine.

- des lunettes protectrices,
- une protection acoustique
- un masque anti-poussières.

Ne porter **pas de gants**.

Pour manœuvrer les lames porter des gants appropriés.

Utiliser des rallonges de table pour le travail des pièces longues.

Lire attentivement dans ce mode d'emploi le chapitre „travailler sûrement“.

Le temps de freinage de la machine ne doit pas dépasser 10 secondes.

Pour le sciage de bois ronds assurer que la pièce ne peut pas tourner. Pour le sciage de pièces difficiles à manœuvrer, utiliser un support.

Abaisser le guide lame supérieur le plus près possible de la pièce à usiner.

Pour un travail sur la table inclinée positionner le guide de précision de longueur en bas de la moitié de la table.

Bien tenir et guider les pièces pendant le travail.

Ne pas enlever les copeaux et les pièces usinées avant que la machine ne soit à l'arrêt.

Placer la machine de sorte à laisser un espace suffisant pour la manœuvre et le guidage des pièces à usiner.

Veiller à un éclairage suffisant.

Placer la machine sur un sol stable et plat.

S'assurer que le câble d'alimentation ne gêne pas le travail ni risque de faire trébucher l'opérateur.

Conserver le sol autour de la machine propre, sans déchets, huile ou graisse.

Prêter une grande attention à votre travail et rester concentré.

Eviter toute position corporelle anormale.

Veiller à une position stable et garder un bon équilibre à tout moment.

Ne pas travailler sous l'influence de drogues, d'alcool ou de médicaments.

Eloigner de la machine toutes personnes incompetentes surtout des enfants.

Ne jamais laisser la machine en marche sans surveillance. Arrêter la machine avant de quitter la zone de travail.

Ne pas mettre la machine à proximité de liquides ou de gaz inflammables.

Tenir compte des possibilités de prévention et de lutte contre les incendies, par ex. lieu et utilisation des extincteurs.

Préserver la machine de l'humidité et ne jamais l'exposer à la pluie.

Utiliser un collecteur de poussières afin d'éviter une production de poussières trop élevée.

La poussière de bois est explosive et peut être nocive pour la santé.

Les poussières de certains bois exotiques et de bois durs, tels que le hêtre et le chêne sont classés comme étant cancérogènes.

Retirer les clous et autres corps étrangers de la pièce avant de débiter l'usinage.

Pousser une pièce étroite en fin d'usinage à l'aide d'un pousoir.

En cas de non utilisation, le bâton ou la poignée du pousoir doit toujours être rangé contre la machine.

Se tenir aux spécifications concernant la dimension maximale ou minimale de la pièce à usiner.

Ne pas enlever les copeaux et les pièces usinées avant que la machine ne soit à l'arrêt.

Ne pas se mettre sur la machine.

Tous travaux de branchement et de réparation sur l'installation électrique doivent être exécutés uniquement par un électricien qualifié.

Remplacer immédiatement tout câble endommagé ou usé.

Faire tous les travaux de réglage ou de maintenance seulement après avoir débranché la machine du réseau.

Remplacer immédiatement une lame endommagée.

### 3.3 Risques

Même en respectant les directives et les consignes de sécurité les risques suivants existent.

Danger de blessures par une lame en travaillant sans dispositif de protection.

Danger par rupture de la lame.

Danger de pièces éjectées.

Risque de nuisances par poussières de bois, copeaux et bruit. Porter un équipement de sécurité personnel tel que lunettes, cache visage pour travailler à la machine.

Utiliser un collecteur de poussières!



Danger par câble électrique endommagé, usé ou mal branché.

#### 4. Spécifications

##### 4.1 Indications techniques

Diamètre du rouleau	315 mm
Largeur de coupe	max 305 mm
Hauteur de coupe	max 180 mm
Longueur de lame	2240 mm
Largeur de lame	6 - 15 mm
Epaisseur de lame	0,4 - 0,6 mm
Vitesse du ruban	370 ou 800 m/min
Dimension de table	400x480 mm
Inclinaison de table	0° à 45°
Hauteur de table avec socle	1000mm
Buse d'aspiration	100mm

Dimensions de la machine sans socle (Lxlxh)  
600 x 805 x 1320 mm

Poids net sans socle 62 kg

Dimensions de la machine avec socle (Lxlxh)  
655 x 915 x 1860mm

Poids net avec socle 68 kg

Voltage	1~230V, 50Hz
Puissance	800W
Courant électrique	3,5 A
Raccordement (H07RN-F)	3x1,5mm <sup>2</sup>
Fusible du secteur électr.	10A

##### 4.2 Emission de bruit

Indications selon EN 1807  
(incertitude de mesure 3 dB)  
Pièce en hêtre:  
l=30mm, L=1500mm, humidité 8,5%

Puissance sonore (selon EN ISO 3746):	
Marche à vide	LwA 85;0 dB(A)
Usinage	LwA 96;4 dB(A)

Niveau de pression sonore (selon EN ISO 11202):	
Marche à vide	LpA 72,6 dB(A)
Usinage	LpA 83,4 dB(A)

Les indications données sont des niveaux de bruit et ne sont pas forcément les niveaux pour un travail sûr.  
Bien qu'il existe un rapport entre les niveaux d'émission et la nuisance nous ne pouvons pas savoir si des précautions supplémentaires sont nécessaires.

Le risque de nuire à la zone de travail dépend de différents critères comme la durée du travail, la place et l'entourage, le bruit et le nombre des autres machines. De plus le niveau toléré peut varier dans les différents pays.

Cette information est tout de même importante, ainsi l'utilisateur peut estimer les dangers et les risques possibles.

##### 4.3 Emission de poussière

L'émission de poussière de la scie à ruban JBS-12 a été évaluée.

A une vitesse d'air de 20 m/s à la buse d'aspiration d'un diamètre 100mm:	
Pression diminuée	1250 Pa
Volume	565 m <sup>3</sup> /h

Ainsi un paramètre de concentration de 2 mg/m<sup>3</sup> est assuré.

##### 4.4 Contenu de la livraison

Socle  
Table de la machine  
Guide de précision de longueur  
Rails fixes  
Guide d'onglet  
Manchon d'aspiration 100mm  
Accessoires pour le montage  
Lame de scie 13 mm  
Mode d'emploi  
Liste des pièces de rechange

#### 5. Transport et mise en exploitation

##### 5.1. Transport

La machine est livrée dans une caisse en carton.  
Pour le transport utiliser un chariot élévateur.  
Transporter la machine de manière qu'elle ne puisse pas tomber.

Effectuer le montage de la machine dans un local fermé ou un atelier respectant les conditions de menuiserie.

Placer la machine sur une surface stable et plane.

##### Stabilité de la scie à ruban:

Avant la mise en route de l'appareil, vérifier la parfaite stabilité de la scie à ruban. La scie à ruban dispose de quatre perforations de Ø 8mm (A, Fig 1) grâce auxquelles elle peut être vissée sur un établi ou sur le socle livré.

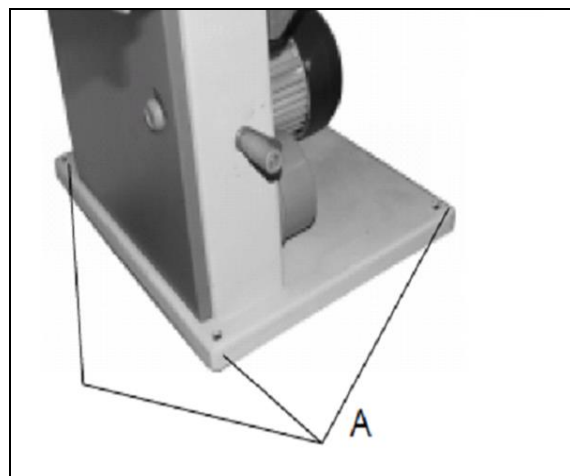


Fig 1

Pour des raisons techniques d'emballage la machine n'est pas complètement montée à la livraison.

## 5.2 Montage

Déballer la machine. Avertir immédiatement votre commerçant si vous constatez des pièces endommagées par le transport et ne pas monter la machine.

Éliminer l’emballage dans le respect de l’environnement.

Enlever la protection antirouille sur la table avec un dissolvant.

Avant la mise en route, les parties suivantes doivent être montées:

La table de travail de la scie, la butée longitudinale et la poignée de la manivelle.

### Montage de la table

Outil nécessaire: - une clé de serrage de 13mm

Monter la vis à tête plate M8 x 50 et l’élément carré en matière plastique (A, Fig 2) à travers la fente du dispositif de bascule de la table (B) et serrer provisoirement l’écrou papillon (C) afin d’en éviter la chute.

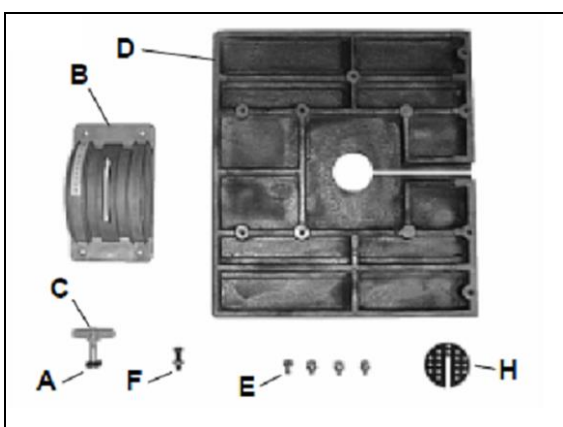


Fig 2

Positionner le dispositif de bascule de la table (B, Fig 3) sous la table de la scie (D) en utilisant les 4 vis hexagonales M8 x 16 (E) et les rondelles. Vérifier que la graduation d’inclinaison se trouve au bord de la table.

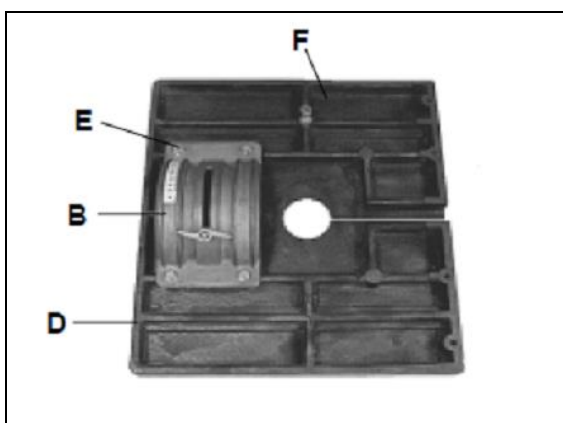


Fig 3

Monter la vis de blocage d’inclinaison et l’écrou (F) comme indiqué sur le schéma. Le réglage se fera plus tard.

Retirer l’écrou papillon (C) de la vis à tête plate (A).

Monter la table sur le dispositif d’inclinaison inférieur (G). Pour cela passer la vis à tête plate à travers la perforation et serrer l’écrou papillon. (Fig 4).

(Pour cela se faire éventuellement aider)

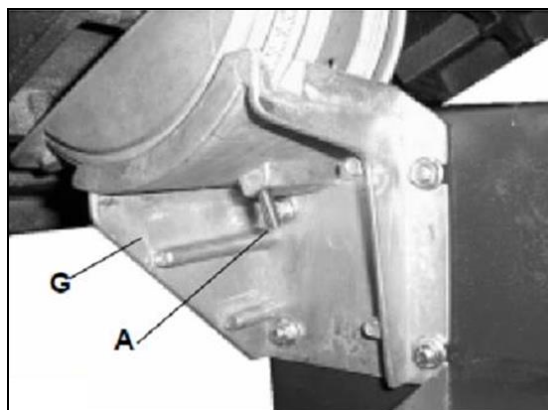


Fig 4

Monter l’insertion de table (H, Fig 2).

### Montage de la poignée de la manivelle

Outils nécessaires: - Tournevis plat de 10mm, clé de serrage

Monter la poignée de la manivelle (A, Fig 5) avec la vis à tête cylindrique fendue M6 x 55 et deux écrous M6.

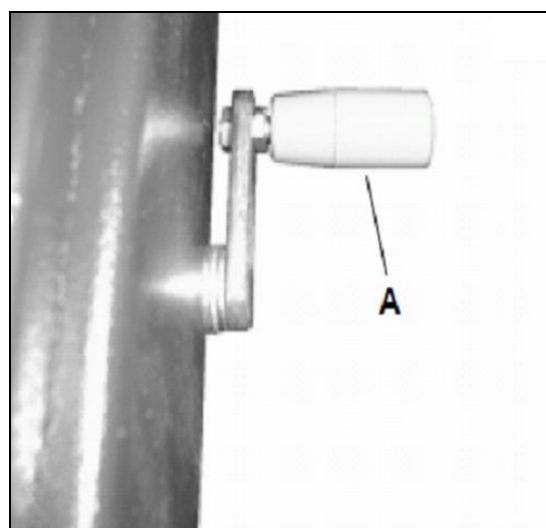


Fig 5

### Montage du rail-guide

Cette explication tient compte du fait que le ruban est déjà monté, Si ce n’est pas le cas se reporter au paragraphe „Changement du ruban“.

Pour positionner la butée longitudinale, monter le rail-guide (J, Fig 6) à la table avec les quatre vis papillon et les rondelles joints à la livraison (K).  
Le réglage se fera plus tard.

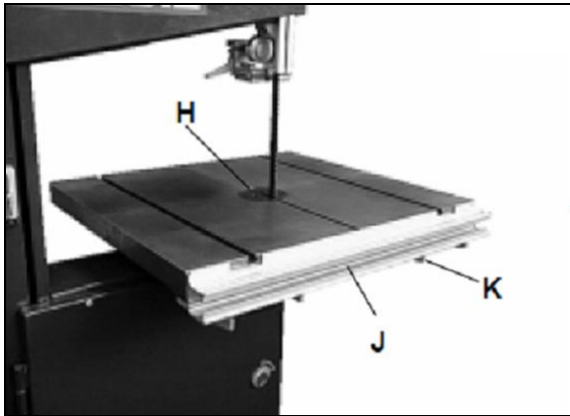


Fig 6

**Montage de la butée longitudinale**

La butée longitudinale peut être utilisée des deux côtés de la bande, pour cela fixer la butée à onglet (C, Fig 7) sur le côté souhaité de la partie en fonte (B).

Fixer la partie en fonte (B) avec la vis à tête plate M8 x 50 et les écrous papillon en plastique (F).

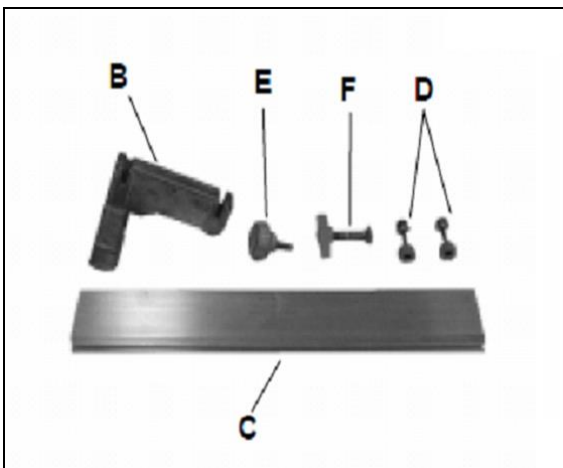


Fig 7

Monter la butée à onglet (C) avec deux petits écrous moletés et des vis à tête plate M6 x 40 (D) sur la partie en fonte (B) et fixer la vis moletée (E) (voir Fig 8).

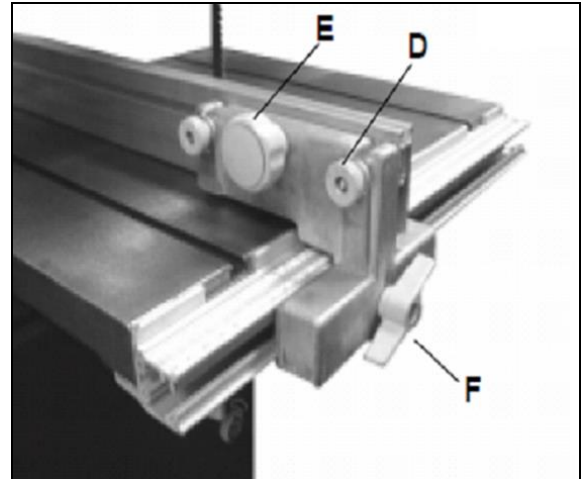


Fig 8

**Rééquilibrage du circuit du ruban**

Utiliser la vis moletée (E) pour bloquer.

On peut aussi éventuellement positionner la butée à onglet en biais pour compenser la déviation de la ligne de coupe de la bande (Rééquilibrage du circuit du ruban).

**Centrage de la table par rapport au ruban**

On peut centrer la table par le côté, afin que le ruban se trouve au milieu de l'insertion de table.

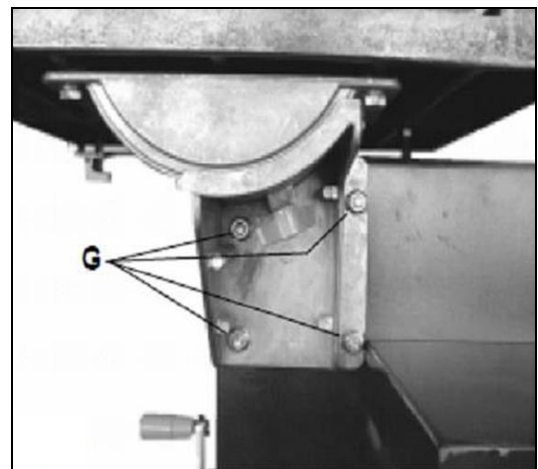


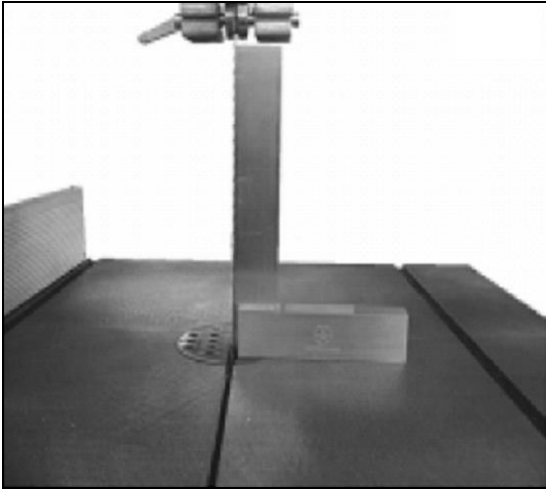
Fig 9

Au besoin, desserrer les 4 écrous M8 (G, Fig 9), aligner la table sur le côté, et resserrer les écrous.

**Positionnement en biais de la table par rapport au ruban**

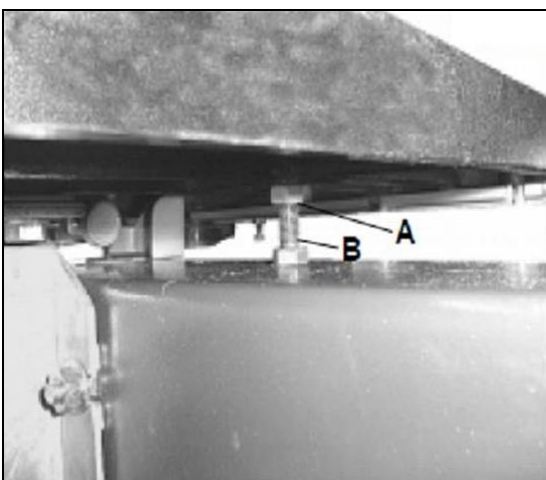
Outil nécessaire: - Equerre à 90°

La table peut être positionnée à 90° par rapport au ruban, pour cela, ajuster la vis de blocage qui se trouve sous la table



**Fig 10**

Desserrer l'écrou (A, Fig 11), ajuster la vis (B).

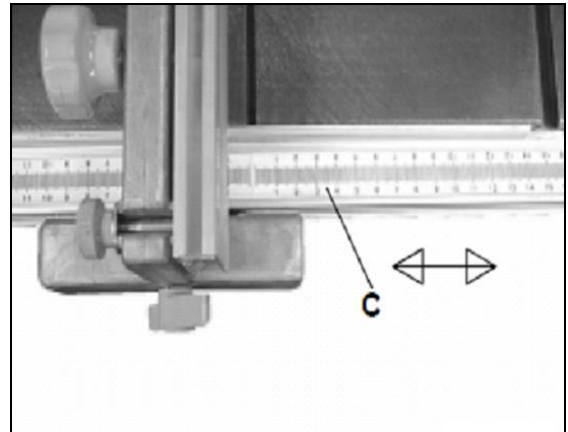


**Fig 11**

**Ajustage de la règle graduée**

Outil nécessaire: - Clé de serrage de 10mm

Pour régler la règle graduée desserrer les quatre vis papillon qui se trouvent sous la table et faire jouer latéralement la règle graduée et le rail de la butée longitudinale (C, Fig 12). Resserrer les vis papillon.

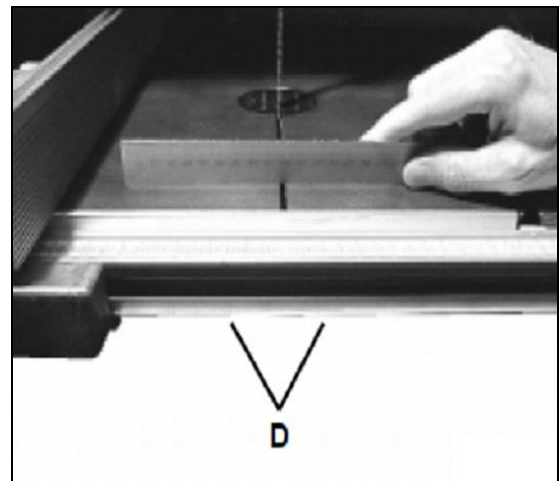


**Fig 12**

Quand ce réglage est correct, l'épaisseur de la pièce correspond au réglage de la règle graduée.

**Contrôle de la planéité de la table**

Poser une règle en acier sur la table en travers de la fente (voir Fig. 13)



**Fig 13**

Si la règle en métal indique une différence de niveau, il est possible de corriger ceci en faisant jouer les 2 vis et les écrous de sécurité se trouvant sous la table (D, Fig 13).

**Cache inférieur du ruban**

En ouvrant la porte de l'enrouleur inférieur du ruban, le cache du ruban bascule vers le bas (C, Fig 14).

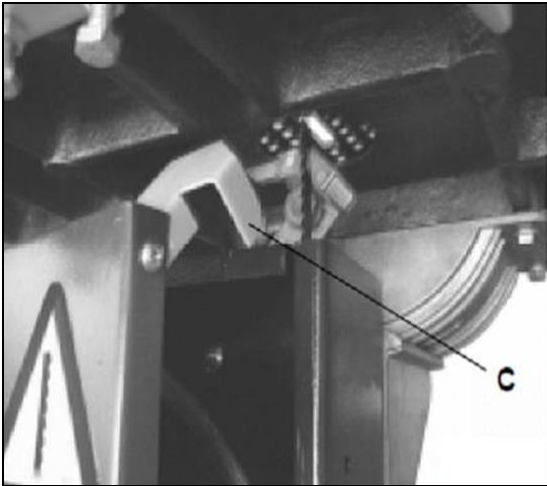


Fig 14

En refermant cette porte, le cache du ruban DOIT être remis en position de travail.

Les portes des enrouleurs du ruban DOIVENT toujours être fermées pendant travail.

### 5.2 Raccordement au réseau électrique.

Le raccordement ainsi que les rallonges utilisées doivent correspondre aux instructions.

Le voltage et la fréquence doivent être conformes aux données inscrites sur la machine.

Le fusible du secteur électrique doit avoir 10A.

Utiliser pour le raccordement des câbles H07RN-F.

Tous travaux de branchement et de réparation sur l'installation électrique doivent être exécutés uniquement par un électricien qualifié.

### 5.3 Raccordement au collecteur de poussières

La machine est livrée avec une buse d'aspiration Ø 100mm (B) Fig.14.



Fig 15

Avant la mise en exploitation connecter la machine à un collecteur de poussières de manière que le collecteur se mette en marche automatiquement avec votre scie.

Vitesse minimale de l'aspiration à la buse 20 m/s.  
N'utiliser que des tuyaux d'aspiration de la qualité „difficilement inflammable“ et intégrer les tuyaux dans la mise à la terre de la machine.

### 5.4 Mise en exploitation

Mettre la machine en route avec le bouton vert. Arrêter la machine avec le bouton rouge.

## 6. Fonctionnement de la machine

### Position de travail:

Debout devant la machine en direction de la coupe.

### Manoeuvrer les pièces:

Laisser les mains en dehors de la zone de coupe et conduire la pièce à usiner du plat de la main.

Conduire la pièce en direction de la coupe prévue vers la lame et en tournant guider la coupe selon dessin. Faire un travail régulier, sans interruption de la coupe.

Ne pas retirer la pièce à usiner au milieu de la coupe, car ainsi le ruban pourrait dévier du circuit.

Poser des pièces trop longues sur un support roulant.

### Attention:

Toujours travailler avec des lames bien coupantes!

Près de la coupe mener la pièce avec un poussoir.

Pour un travail sûr des petites pièces utiliser une plaque coulissante.

Pour le bois rond utiliser un dispositif évitant que le bois puisse tourner pendant la coupe.

### Préparation de la coupe:

Positionner le guide ruban supérieur à env. 2-5 mm au-dessus de la pièce à usiner (voir Fig 16).

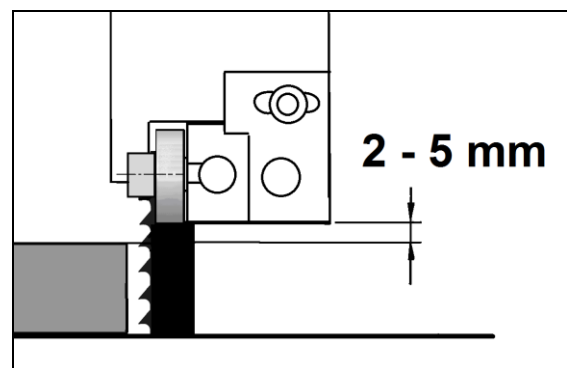


Fig 16

Pour votre sécurité, abaisser toujours le guide supérieur du ruban aussi près que possible de la pièce d'œuvre.

Pour ajuster la hauteur de coupe, desserrer l'écrou papillon (A, Fig 17) et faire jouer le guide supérieur et le cache du ruban (B).

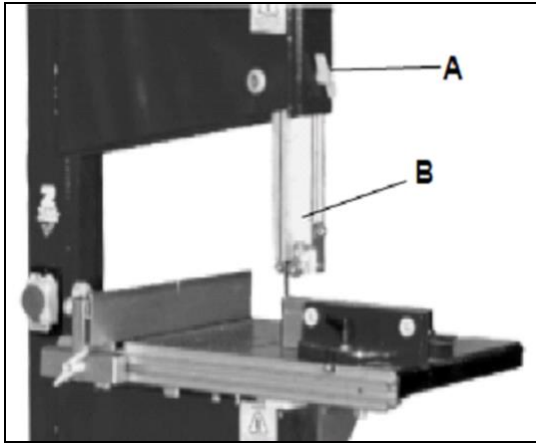


Fig 17

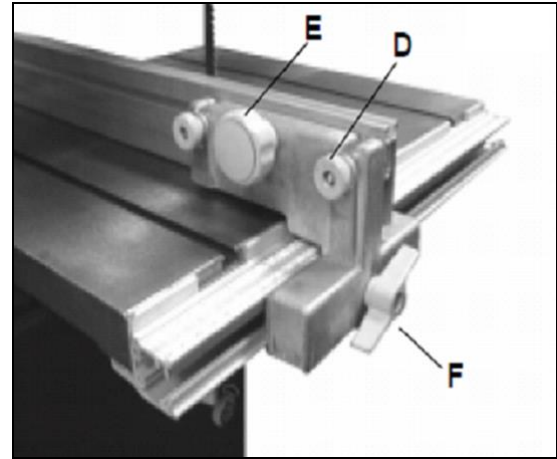


Fig 19

### Déviation du ruban:

Lors de coupes parallèles et de coupes séparantes, il n'est pas rare que le circuit du ruban dévie.

Ainsi le circuit du ruban ne suit pas la ligne de coupe souhaitée (Fig 18).

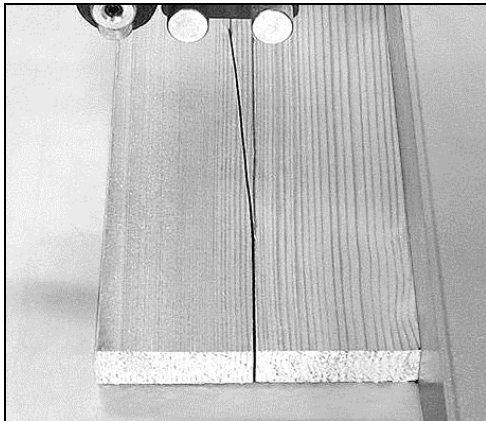


Fig 18

Il peut y avoir plusieurs causes à la déviation du ruban.

- Le ruban suit le sens des fibres.
- Le ruban est émoussé.
- Le circuit du ruban est mal réglé.
- La tension du ruban est trop faible.
- La denture du ruban est asymétrique

Pour compenser, il faut que la pièce soit conduite de biais en suivant la coupe.

Sur la scie à ruban, il est possible de positionner la butée à onglet en biais avec les vis (D et E, Fig 19).

### Guide auxiliaire pour butée parallèle:

Pour votre sécurité, abaisser toujours le guide-ruban supérieur aussi près que possible de la pièce à usiner.

Pour des coupes étroites et en fin de butée parallèle il faut usiner un guide auxiliaire fait maison (E, Fig 20) qui se compose de matériau facilement coupable (p. ex. du bois, du plastique, de l'aluminium).

Même longueur que la butée parallèle.

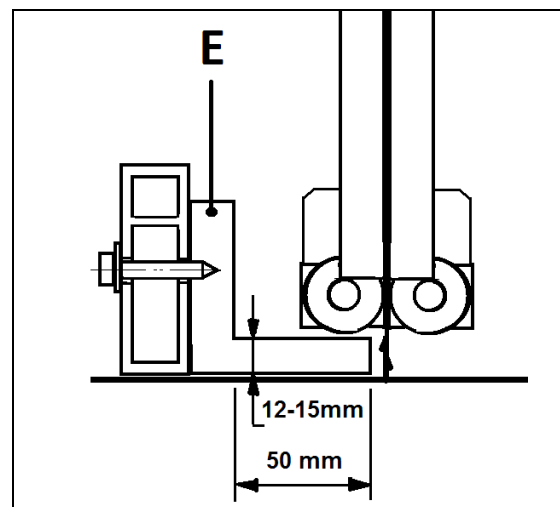
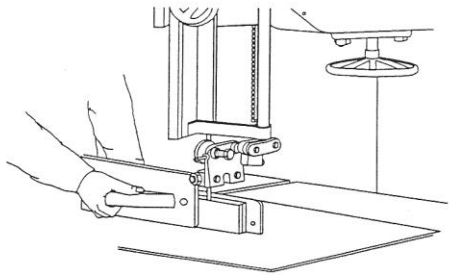
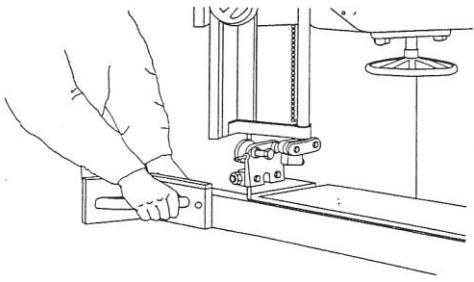


Fig 20

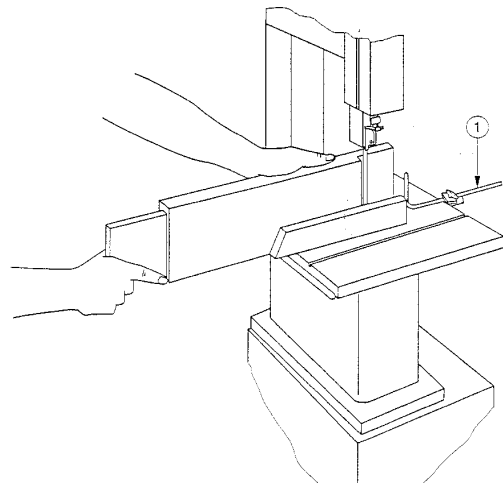
### Guide d'onglet

Le guide d'onglet est introduit dans la rainure en T de la table.

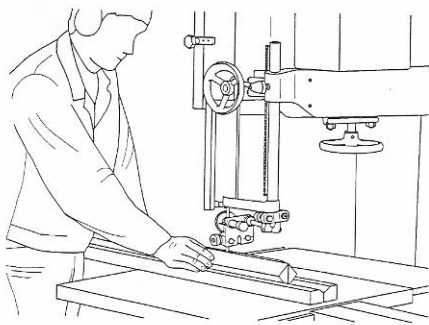
**L'annexe A "travailler sûrement"**



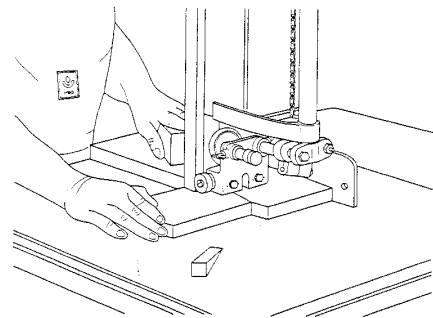
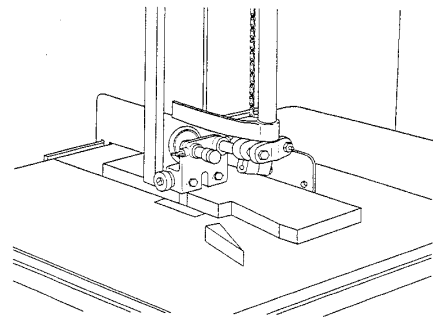
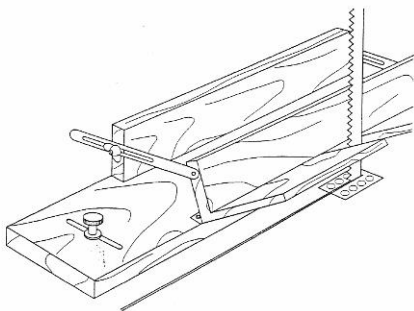
Effectuer une coupe haute



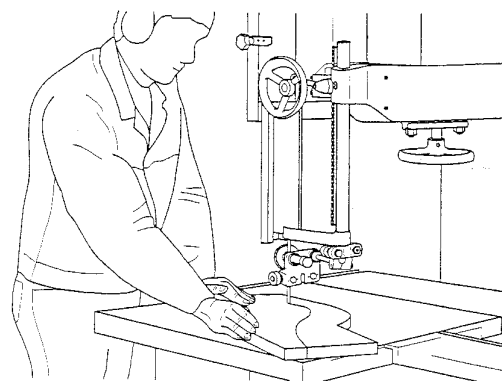
Coupe de chevilles



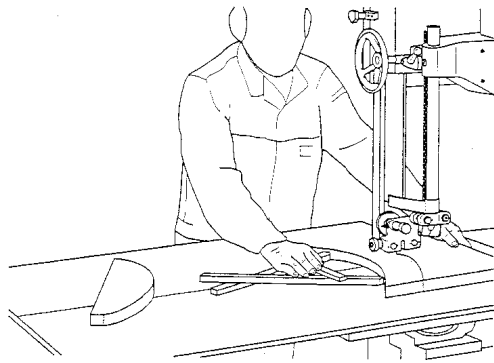
Effectuer une coupe en biais



Coupe d'onglet



Coupe échancrée



Coupe en forme d'arche

## 7. Réglages

### Attention

Faire tous les travaux de maintenance ou de réglage après avoir débranché la machine du réseau.

### 7.1 Montage du ruban

Le ruban doit correspondre aux indications techniques mentionnées.

Utiliser un ruban de scie adéquat, qui convient au matériel à couper et qui est adapté au type de travail à effectuer.

Pour les coupes longitudinales hautes

- un ruban large (par ex 15 mm) à denture grossière

Pour des coupes courbes et étroites

- un ruban étroit (par ex 6 mm)

Contrôler le ruban avant le montage (déchirure, dents endommagées, déformation). Ne pas utiliser un ruban endommagé.

Monter le ruban avec dents en direction de la coupe (vers le bas).

Pour ce travail toujours porter des gants appropriés.

Avant le montage déconnecter la machine du réseau.

### Changement du ruban de scie:

1. Couper l'alimentation électrique en retirant la prise.
2. Ouvrir les portes supérieure et inférieure des enrouleurs du ruban en utilisant un tournevis pour débloquer les serrures (A, Fig 21).

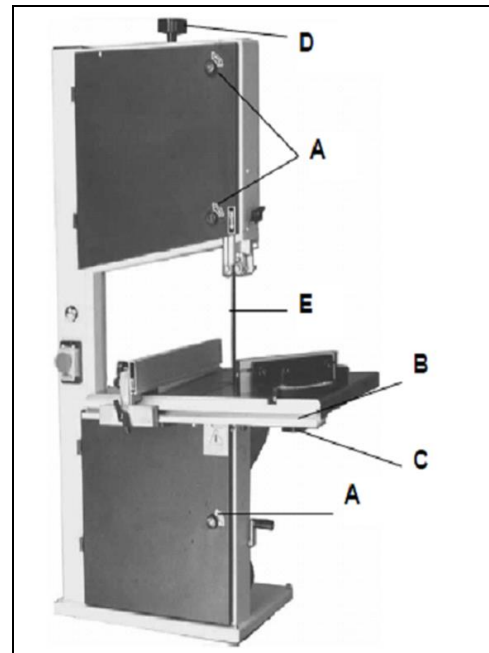


Fig 21

3. Retirer le guide de la butée longitudinale (B) en desserrant les 4 vis papillon (C).
4. Relâcher la tension du ruban en tournant la poignée (D).
5. Retirer le ruban de scie (E) en le faisant passer dans le corps de la machine par la fente de la table, le guide supérieur du ruban et le guide ainsi que la fente. Veiller à ne pas se blesser, au besoin porter des gants de protection.
6. Lors du montage du nouveau ruban, bien vérifier que celui-ci passe par la fente de la table, les dents orientées vers le bas.
7. Tendre le nouveau ruban et en vérifier son bon déroulement en tournant l'enrouleur supérieur à la main. Le ruban doit se trouver au centre de l'enrouleur (voir Fig. 19).
8. Au besoin ajuster le circuit du ruban par la vis de microréglage du déroulement du ruban (F, Fig 23).

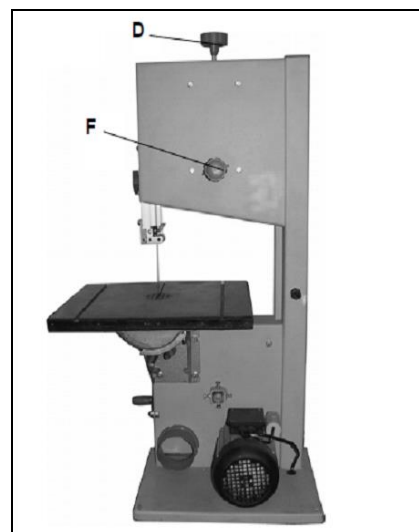


Fig 22



9. Régler les guides du ruban comme indiqué dans la rubrique „Réglage des guides du ruban“.
10. Monter la butée longitudinale.
11. Fermer et verrouiller les portes des enrouleurs du ruban avant de remettre la machine sous tension

### 7.2 Réglage du circuit du ruban

Ne jamais faire de réglage si la machine est encore en marche.

Observer pendant le montage la position correcte du ruban sur les enrouleurs.

Le ruban doit être au milieu de la couche en caoutchouc.

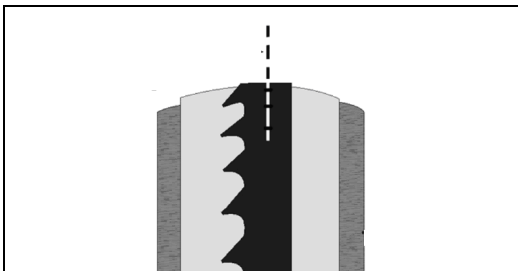


Fig 23

Avec le volant à l'arrière de la machine (F, Fig 22) ajuster le circuit correct du ruban.

Après le montage du ruban vérifier que la tension du ruban est suffisante.

### 7.3 Réglage de la tension du ruban

Tendre le ruban avec le volant du haut de la machine.

Il faut toujours tendre suffisamment le ruban.

#### Remarque:

Si la machine n'est pas en service, il faut détendre le ruban. On obtient ainsi une plus grande longévité du ruban.

### 7.4 Réglage des guides du ruban

Ne jamais faire de réglage si la machine est encore en marche.

Desserrer l'écrou hexagonal (B, Fig 24) et régler en profondeur l'unité de guidage, de façon à ce que la distance entre la base des dents et les galets de guidage latéraux (A) soit d'environ 2 mm.

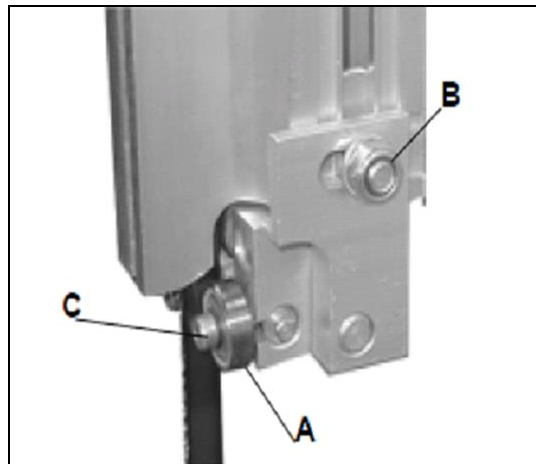


Fig 24

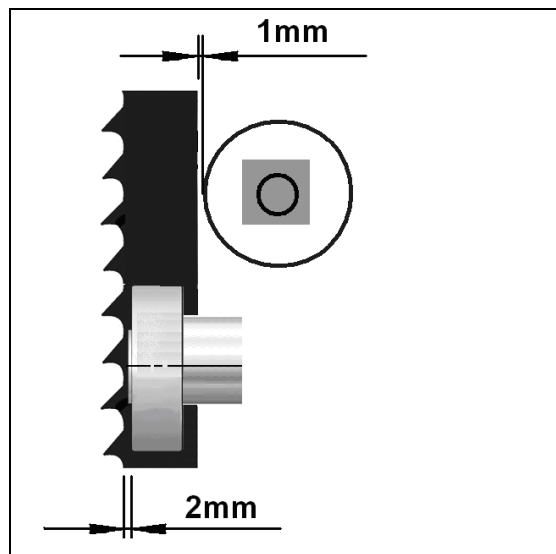


Fig 25

Desserrer la vis à six pans creux (C) et ajuster les galets de guidage latéraux (A) de façon à ce qu'ils touchent légèrement le ruban de scie, mais ne le bloquent pas. Veiller à ce que le ruban ne soit pas poussé sur le côté.

Desserrer la vis à six pans creux (E, Fig 26) et ajuster le galet dorsal (D) à environ 1 mm du ruban.

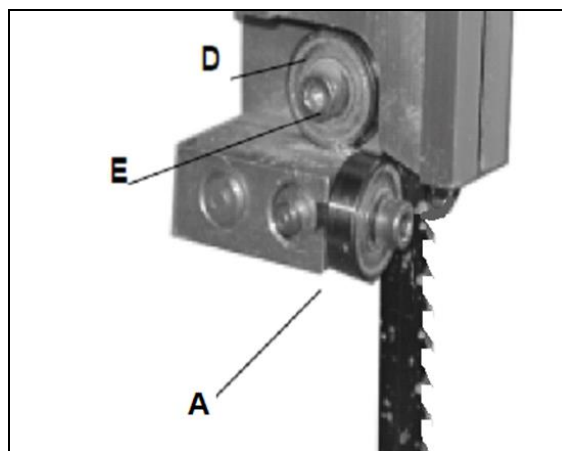


Fig 26

#### Guide inférieur du ruban:

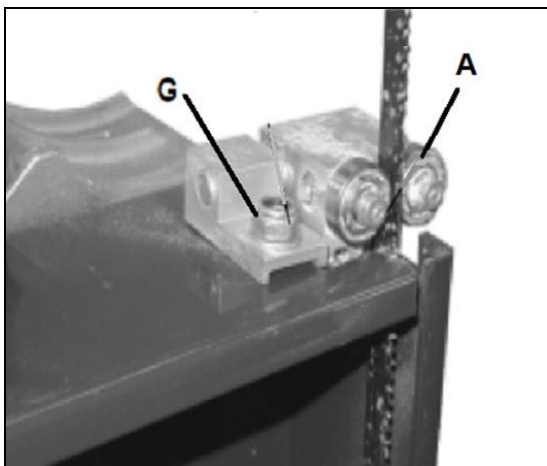


Fig 27

Desserrer l'écrou hexagonal (G, Fig 27) et ajuster le guidage en profondeur de façon que la distance de la base des dents aux enrouleurs (A) soit d'env. 2 mm.

#### Contrôle du circuit du ruban:

Tourner les enrouleurs à la main dans le sens de la rotation et vérifier si le réglage est correct.

Mettre la machine en route avec précaution.

#### 7.5 Pliage des rubans

Tenir le ruban avec une main de façon qu'il pende à la verticale vers le sol, placer un pied sur l'autre bout du ruban, tourner la main de 360° en la menant également vers le sol.

#### 7.6 Changement de la vitesse du ruban

Cette scie à ruban dispose de 2 vitesses de bande:

- 370 m/min pour les bois durs, quelques matières plastiques et certains métaux non ferreux.
- 800 m/min pour tous les autres bois d'ouvrage.

L'enrouleur inférieur de la bande (C, Fig 28) dispose de 2 poulies en poly-V, le moteur dispose d'une poulie jumelle en poly-V (D).

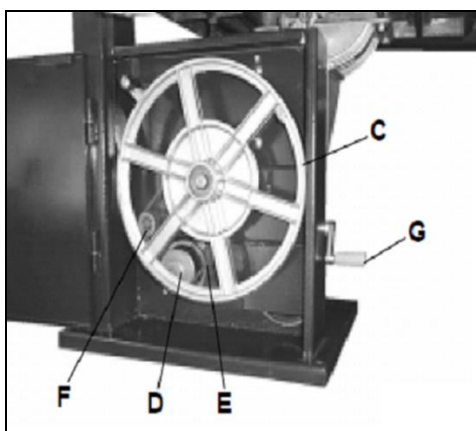


Fig 28

La courroie en poly-V (E) circule autour de la poulie de l'enrouleur, de la poulie du moteur et de la poulie lisse de tension (F). Tendre la courroie avec la poignée (G).

Pour changer la courroie, il faut démonter l'enrouleur inférieur.

Pour obtenir la vitesse rapide, il faut positionner la courroie sur la poulie postérieure, comme indiqué sur Fig 29.

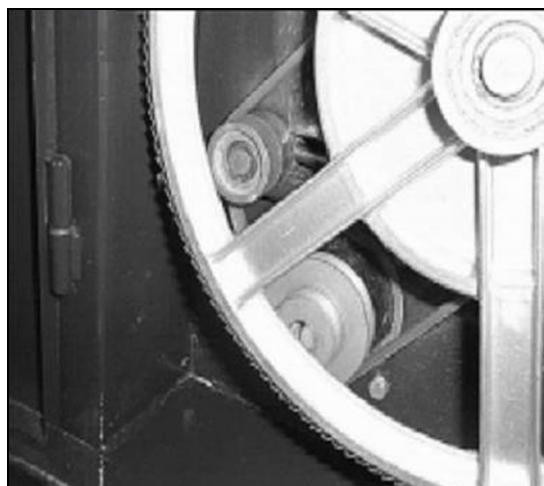


Fig 29

Pour obtenir la vitesse lente, il faut positionner la courroie sur la poulie antérieure, comme indiqué sur Fig 30.



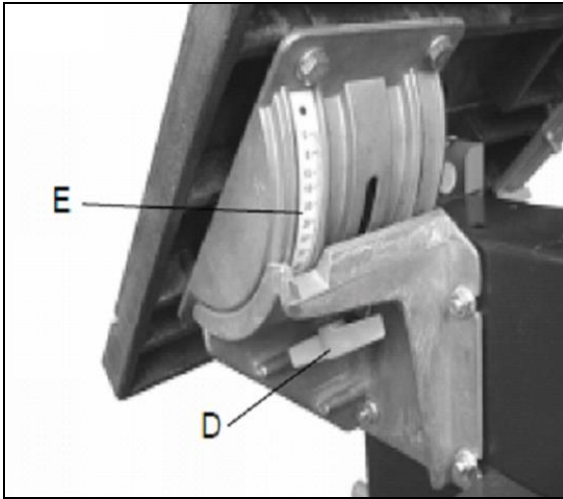
Fig 30

#### 7.7 Inclinaison de la table de travail

Pour positionner la table dans un certain angle d'inclinaison:

S'assurer qu'il n'y a pas d'objets posés sur la table.

Desserrer l'écrou papillon (D, Fig 31) et incliner la table selon la graduation (E).



**Fig 31**

Resserrer l'écrou papillon.

**Remarque:** Quand la table est inclinée, il faut que la butée longitudinale se trouve en bas de la table afin de retenir la pièce d'œuvre.

## 8. Entretien et inspection

### Attention

Faire tous les travaux de maintenance, réglage ou nettoyage après avoir débranché la machine du réseau!

Tous travaux de branchement et de réparation sur l'installation électrique doivent être exécutés uniquement par un électricien qualifié.

Nettoyer régulièrement la machine.

Ne jamais utiliser d'eau ou d'autres liquides pour nettoyer la machine. Utiliser une brosse ou un pinceau.

Pour éviter une surchauffe du moteur, il faut que les fentes d'aération soient toujours propres.

Vérifier chaque jour le fonctionnement impeccable du collecteur de poussières.

Réinstaller immédiatement les dispositifs de protection.

Remplacer immédiatement des dispositifs de protection endommagés.

Contrôler régulièrement la tension du ruban et relâcher la tension de la lame si le temps d'arrêt est long.

Contrôler régulièrement le réglage du guide lame.

### Enrouleurs:

Nettoyer régulièrement la couche en caoutchouc sur les enrouleurs.

### Entraînement:

Contrôler régulièrement le voltage de la commande à courroie.

### Insertion de table:

Changer une insertion de table dont le passage du ruban est effiloché.

L'insertion de table doit se composer de matériau qui se coupe facilement.

(p. ex. du bois, du plastique, de l'aluminium).

JET Numéro d'article: JBS-120.

Utiliser une insertion qui ne dépasse pas la table.

### Rubans:

Les travaux de maintenance et de réglage des rubans doivent être effectués par des personnes familiarisées à ce travail.

N'utiliser que des rubans bien coupants.

## 9. Détecteur de pannes

### Moteur ne se met pas en route

\*Pas de courant-  
Vérifier le voltage.

\*Défaut au moteur, bouton ou câble-  
Contacter un électricien qualifié.

### Vibration violente de la machine

\*La machine n'est pas sur un sol plat-  
Repositionner la machine.

\*Enrouleurs sales-  
Nettoyer la couche en caoutchouc.

\*Ruban déchiré-  
Changer le ruban.

### Equerre de coupe pas 90°

\*Mauvais réglage du guide d'inclinaison  
\*Mauvais réglage du guide lame

### Résultat du sciage insuffisant

\*Ruban non adapté  
\*Ruban résineux  
\*Ruban usé  
\*Mauvais réglage du guide lame  
\*Tension du ruban insuffisante  
\*Pièce à usiner non homogène  
\*Trop de pression sur le travail-  
Ne jamais forcer sur le travail.

## 10. Protection de l'environnement

Protégez l'environnement !

Votre appareil comprend plusieurs matières premières différentes et recyclables. Pour éliminer l'appareil usagé, veuillez l'apporter dans un centre spécialisé de recyclage.

## 11. Accessoires

Pour diverses lames voir liste de prix JET.

### Article 709209

Servante pliable à rouleaux